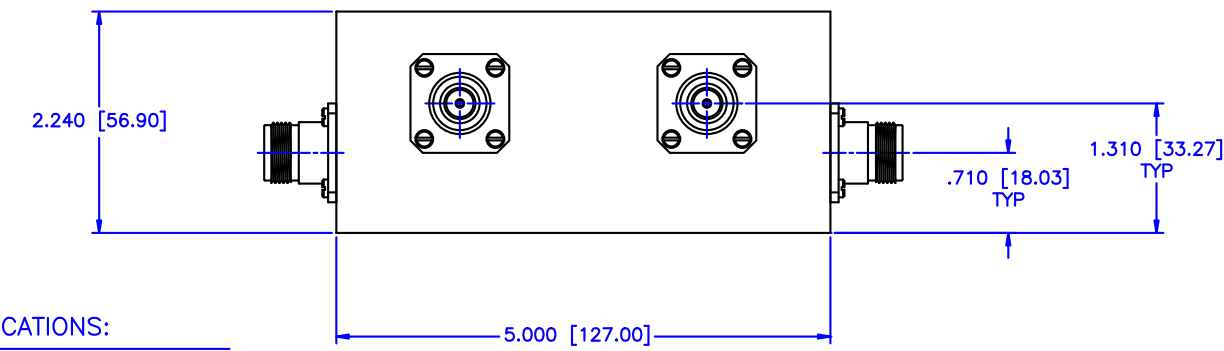
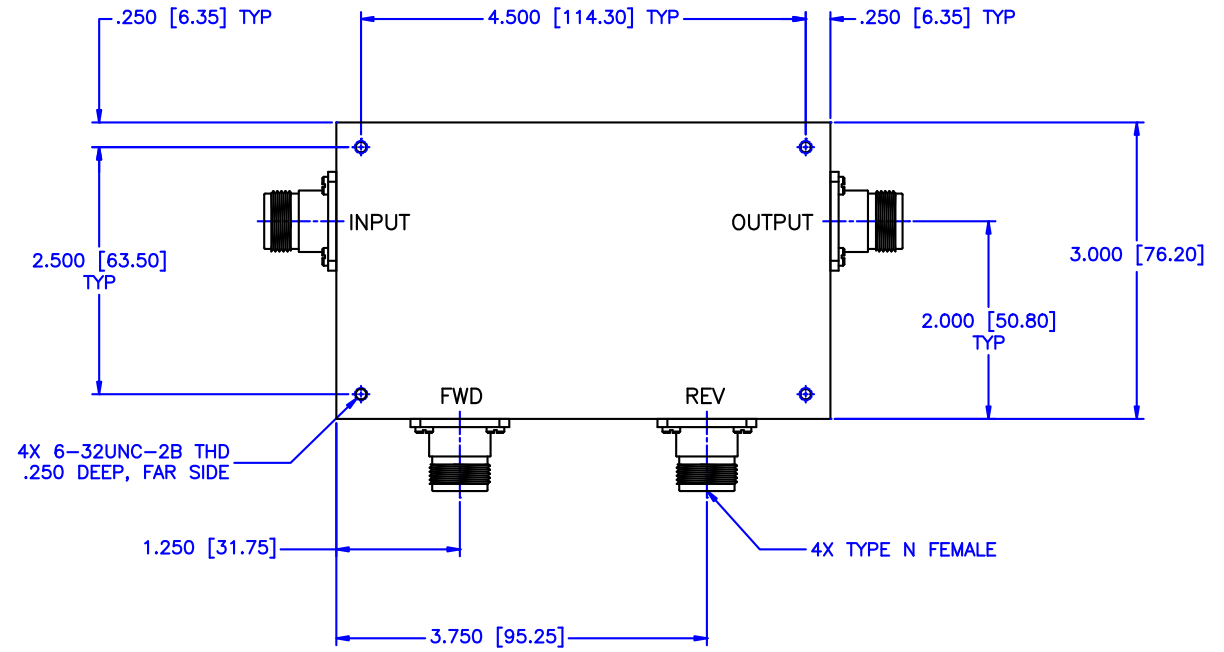


REVISIONS				
ZONE	REV	DESCRIPTION	DATE	APPROVED



**SPECIFICATIONS:**

FREQUENCY RANGE: 0.5–32 MHz  
 FLATNESS:  $\pm 0.5$ dB Max.  
 COUPLING:  $50 \pm 1.0$ dB Nom.  
 INSERTION LOSS: 0.05dB Max.  
 DIRECTIVITY: 20dB Min.  
 VSWR: 1.15:1 Max.  
 POWER: 5kW CW

MATERIAL:		<b>MICROWAVE COMMUNICATIONS LABORATORIES INC.</b> 7255 30TH AVE. N. SAINT PETERSBURG, FL 33710 TEL: (727) 344-6254 FAX: (727) 381-6116 http://WWW.MCLI.COM	SCALE: N/A
UNLESS OTHERWISE SPECIFIED: TOLERANCES IN (INCHES) OR [mm] (MILLIMETERS) FRACTIONS: $\pm 1/64$ DECIMALS: $\pm 0.01 \pm 0.005$ ANGLE: $\pm 1/2^\circ$			SHEET: N/A
DRAWING TITLE:		HIGH POWER DUAL DIRECTIONAL COUPLER	
PART NO.:		HDL-14-50	
DRAWN: Paiboon Luekhamhan	DATE: 03-26-1999	CAGE CODE: OD2L5	SIZE: C
APPROVED: T. Nguyen	DATE: 03-26-1999	REV: N/A	DWG NO. 81959
PROPRIETARY NOTICE: THE INFORMATION IN THIS DRAWING IS PROPRIETARY AND SHALL NOT BE USED OR DISCLOSED WITHOUT WRITTEN PERMISSION FROM MICROWAVE COMMUNICATIONS LABORATORIES INC. (MCLI)		DO NOT SCALE THE DRAWING	