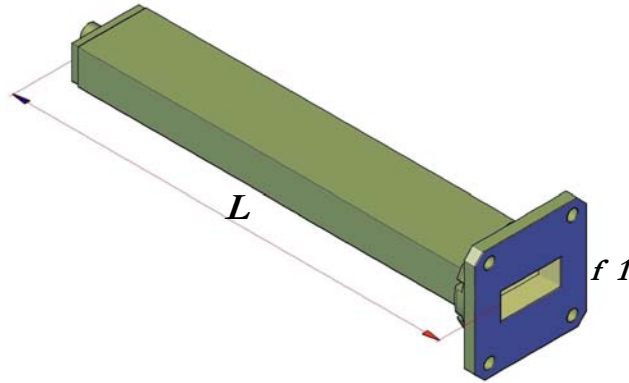


## Rectangular Waveguide Precision Termination



Model	WR #	Frequency (GHz)	Avg. Power (W)	Length (L)	Model	WR #	Frequency (GHz)	Avg. Power (W)	Length (L)
WTP28-	28	26.50 - 40.00	0.5	3.00	WTP137-	137	5.85 - 8.20	5.0	6.50
WTP34-	34	22.00 - 33.00	0.5	3.00	WTP159-	159	4.90 - 7.05	6.0	7.00
WTP42-	42	18.00 - 26.50	0.5	3.00	WTP187-	187	3.95 - 5.85	8.0	7.00
WTP51-	51	15.00 - 22.00	1.0	3.25	WTP229-	229	3.30 - 4.90	10.0	8.00
WTP62-	62	12.40 - 18.00	1.5	4.00	WTP284-	284	2.60 - 3.95	10.0	13.00
WTP75-	75	10.00 - 15.00	2.0	5.00	WTP340-	340	2.20 - 3.30	12.0	13.00
WTP90-	90	8.20 - 12.40	3.0	6.00	WTP430-	430	1.70 - 2.60	17.0	16.00
WTP102-	102	7.00 - 11.00	3.0	6.00	WTP650-	650	1.12 - 1.70	25.0	21.00
WTP112-	112	7.05 - 10.00	4.0	6.25					

Space Machine offers a standard product line of precision terminations covering waveguide sizes WR28 thru WR650. VSWR is held to 1.03:1 maximum over the full waveguide band. Additional sizes and configurations are available upon request.

### Ordering Information:

Precision Waveguide Termination, WR62, Bronze, Cover Flange, Chromated, Paint Space Machine Gray.

Example part number:

**WTP** **wr** **-m** **f** **-p** **f**  
 WTP 62 -B 01 -C P

Series (WTP):

Waveguide Size (wr): WR28 thru WR650

Material (-m): A – Aluminum, B – Bronze, C – OFHC Copper, O – Other

Flange (f): See [Appendix G](#)

Plating (-p): C – Chromate, S – Silver, G – Gold, O – Other, N – None

Finish (f): P – Paint Space Machine Gray, N – None, O – Other