

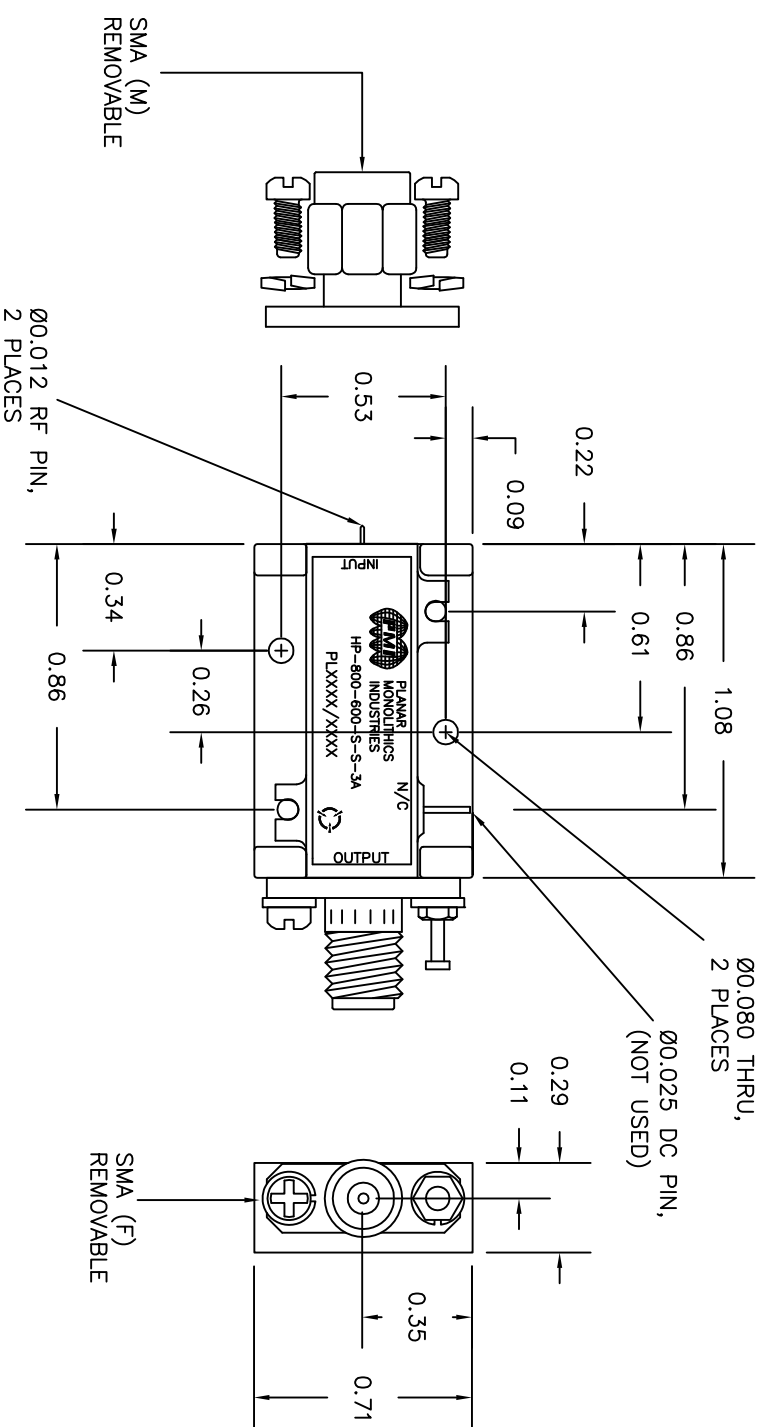
REVISIONS			DATE	APPROVED
ZONE	REV.	DESCRIPTION	DATE	APPROVED
A		ORIGINAL RELEASE	02/02/12	

DESCRIPTION:

Model No: HP-800-600-S-S-3A is a broadband High Pass Filter used to reject video transient. It is supplied in our standard PE2 housing.

SPECIFICATIONS:

- PASSBAND: 800 TO 5000MHZ
- 3 DB POINT: 600MHZ
- VSWR IN THE PASSBAND: 1.5:1 MAX
- INSERTION LOSS (PASSBAND): 0.5 DB MAX
- REJECTION FROM DC TO 500MHZ: -30 DB MIN
- CONNECTOR – INPUT: SMA MALE
- CONNECTOR – OUTPUT: SMA FEMALE
- FINISH: GOLD PLATED



CONFIDENTIAL & PROPRIETARY

ENVIRONMENTAL RATINGS:

- Temperature: -55°C to + 85°C (OPERATING)
-65°C to +125°C (STORAGE)
 - Humidity: MIL-STD-202F, METHOD 103B COND B.
 - Shock: MIL-STD-202F, METHOD 213B COND B.
 - Vibration: MIL-STD-202F, METHOD 204D COND B.
 - Altitude: MIL-STD-202F, METHOD 105C COND B.
 - Temperature Cycle: MIL-STD-202F, METHOD 107D COND A
- Note: The above specifications are subject to change or revision.

PLANAR MONOLITHICS INDUSTRIES, INC.
 7311-F GROVE ROAD
 FREDERICK, MARYLAND 21704 USA
 TEL: 301-662-5019 FAX: 301-662-1731
 WEBSITE: www.pmi-rl.com
 E-MAIL: sales@pmi-rl.com
 ISO 9001:2000 CERTIFIED



APPROVALS	DATE	TITLE	SIZE	FSOM NO.	DWG NO.	REV.
APPROVED	02/02/12	PRODUCT FEATURE	A	05X00	27016261	A
DRAWN		HP-800-600-S-S-3A				
CHECKED						
ISSUED						

ALL DIMENSIONS ARE IN INCHES
 TOLERANCES:
 X.XXX ±0.010
 X.XXX ±0.005