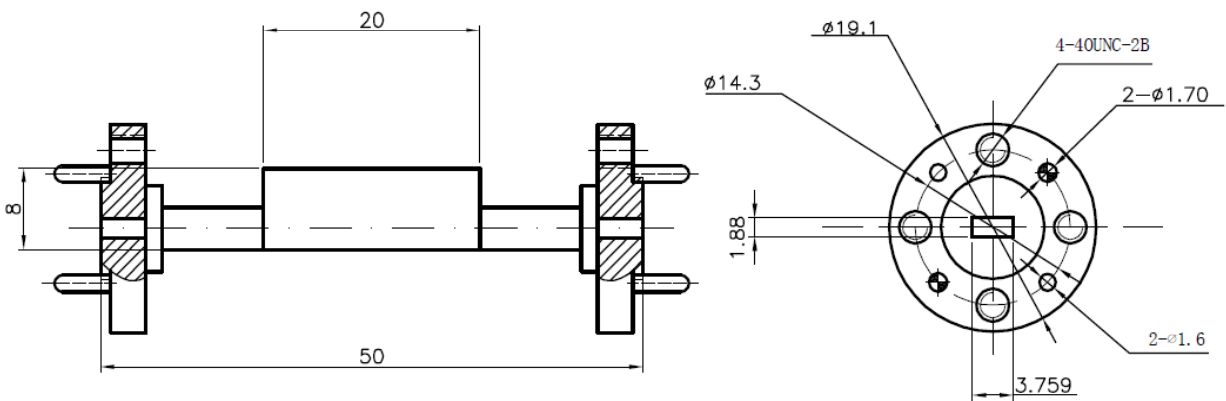



1W WAVEGUIDE WR15 FIXED ATTENUATOR - RFWAT15W001



Electrical Specifications			
Part Number	Frequency	Attenuation	VSWR
RFWAT15W001-3	50-75GHz	3dB ± 0.5dB	1.6
RFWAT15W001-6	50-75GHz	6dB ± 0.5dB	1.6
RFWAT15W001-10	50-75GHz	10dB ± 0.5dB	1.6
RFWAT15W001-20	50-75GHz	20dB ± 0.5dB	1.6
RFWAT15W001-30	50-75GHz	30dB ± 0.5dB	1.6

1.0	Mechanical Specifications	
1.1	Waveguide type	Rectangular Waveguide WR15
1.2	Flange type	UG385/U
1.3	Flange Holes	Through
1.4	Basis-material	Cuprum
1.5	Internal Body Finish	Silver Plated chromate or conversion
1.6	External Body Finish	Body painted with gray/ blue epoxy enamel

2.0	Environment specifications	
2.1	Operation Temp.	-40°C~+85°C
2.2	Storage Temp.	-60°C~+125°C
2.3	Altitude	45000 ft
2.4	Vibration	10g rms (15 degree 2KHz)
2.5	Humidity	100% RH at 35c, 95%RH at 40 deg c
2.6	Shock	20G for 11msc

PAGE	OF	DATE	Jul 10 th 2007
<small>PROPRIETARY INFORMATION THE INFORMATION CONTAINED IN THIS DOCUMENT IS THE PROPERTY OF RF-LAMBDA EXCEPT AS SPECIFICALLY AUTHORIZED IN WRITINGS BY RF-LAMBDA. THE HOLDER OF THIS DOCUMENT SHALL KEEP ALL INFORMATION CONTAINED HEREIN CONFIDENTIAL AND SHALL PROTECT SAME IN THE WHOLE OR IN PART FROM DISCLOSURE AND DISSEMINATION OF ALL THIRD PARTIES AND SHALL USE SAME FOR OPERATING AND MAINTENANCE PURPOSES ONLY</small>		DESIGN	RFPC
		RF-LAMBDA	RFPC
		CAD MODEL REVISION	0-4
		ASSEMBLY REVISION	VS20S
 RFWAT15W001 WAVEGUIDE ATTENUATOR		ASSEMBLY NAME	RFLVR011
		DRAWING NUMBER	D02-1
www.rflambda.com		RF-LAMBDA	SIZE LT SHEETS 1 OF 1