

## 2 to 8GHz –Directional Coupler

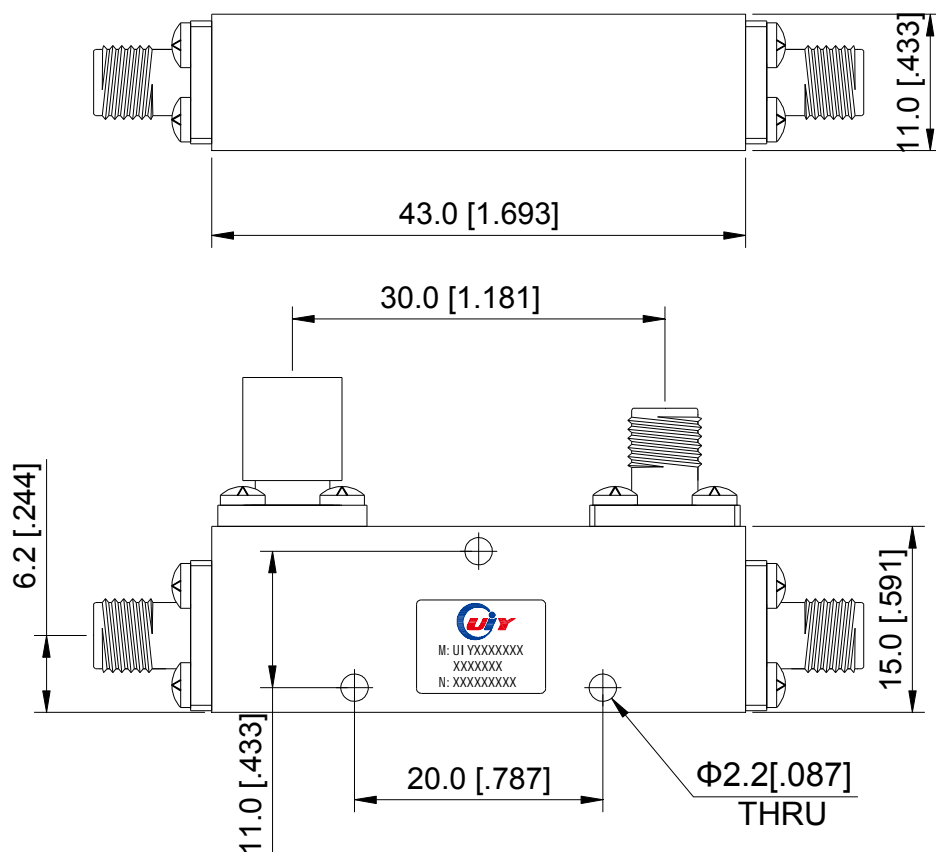
### Design Features

- ◆ High RF performance, ultra-competitive price.
- ◆ Custom design available upon request.
- ◆ Military, space and commercial applications.
- ◆ Guaranteed for one year standard.

### RF Characteristics

Model No.	Freq.Range (GHz)	Nominal Coupling(dB)	Flatness (dB)	IL. (dB)	Directivity (dB)	VSWR	Power (W)	Connector Type	Temp. (°C)
UIYDCP4315A2T8C6SF	2.0~8.0	6±1	±1.0	0.8	20	1.5	50	SMA-F	-55~+85
UIYDCP4315A2T8C10SF	2.0~8.0	10±1	±0.7	0.5	18	1.25	50	SMA-F	-55~+85
UIYDCP4315A2T8C20SF	2.0~8.0	20±1	±0.7	0.5	18	1.25	50	SMA-F	-55~+85
UIYDCP4315A2T8C30SF	2.0~8.0	30±1	±0.7	0.5	18	1.25	50	SMA-F	-55~+85
UIYDCP4315A2T8C6NF	2.0~8.0	6±1	±1.0	0.8	16	1.5	50	N-F	-55~+85
UIYDCP4315A2T8C10NF	2.0~8.0	10±1	±1.0	0.5	16	1.5	50	N-F	-55~+85
UIYDCP4315A2T8C20NF	2.0~8.0	20±1	±1.0	0.5	16	1.5	50	N-F	-55~+85
UIYDCP4315A2T8C30NF	2.0~8.0	30±1	±1.0	0.5	16	1.5	50	N-F	-55~+85

### Mechanical Drawing



Unit: mm/ inch, General part tolerance is  $\pm 0.2$ mm unless otherwise stated.

Ver. 5

A2-5G, Zhujiang Plaza, Longxiang Blvd, Longgang District, Shenzhen 518172, China.

Tel: +86-755-25999990 25999909 Fax: +86-755-25999959 E-mail: sales@uiy.com Web: www.uiy.com