



## 50 Ohm SMA Medium Power Noise Source With A Noise Output ENR Of 15.15 dB From 12 GHz to 18 GHz

### TECHNICAL DATA SHEET

PE8504

#### 50 Ohm SMA Medium Power Noise Source With A Noise Output ENR Of 15.15 dB From 12 GHz to 18 GHz

##### Configuration

Design	Medium
DC Input Connector	BNC Female
DC Input Impedance	50 Ohms
RF Output Connector	SMA Male

##### Electrical Specifications

Frequency Range, GHz	12 to 18
Maximum VSWR	1.35:1
Noise Output ENR, dB	15.15
Bias Voltage, Volts	28
Bias Current, mA	25
Rise / Fall Time, $\mu$ s	1
Maximum Noise Output vs VDC, db/%V	0.1

##### Mechanical Specifications

###### Temperature

Operating Range, deg C	-55 to +85
------------------------	------------

###### Size

Length, in [mm]	3.37 [85.6]
Width/Dia., in [mm]	0.755 [19.18]
Height, in [mm]	0.755 [19.18]

###### DC Input Connector

Type	BNC Female
------	------------

###### RF Output Connector

Type	SMA Male
Hex Size, in.	5/16

Click the following link (or enter part number in "SEARCH" on website) to obtain additional part information including price, inventory and certifications: [50 Ohm SMA Medium Power Noise Source With A Noise Output ENR Of 15.15 dB From 12 GHz to 18 GHz PE8504](#)

The information contained in this document is accurate to the best of our knowledge and representative of the part described herein. It may be necessary to make modifications to the part and/or the documentation of the part, in order to implement improvements. Pasternack reserves the right to make such changes as required. Unless otherwise stated, all specifications are nominal.



## 50 Ohm SMA Medium Power Noise Source With A Noise Output ENR Of 15.15 dB From 12 GHz to 18 GHz

### TECHNICAL DATA SHEET

PE8504

**Compliance Certifications** (visit [www.Pasternack.com](http://www.Pasternack.com) for current document)

#### Plotted and Other Data

Notes:

Values at 25 °C, sea level

50 Ohm SMA Medium Power Noise Source With A Noise Output ENR Of 15.15 dB From 12 GHz to 18 GHz from Pasternack Enterprises has same day shipment for domestic and International orders. Our RF, microwave and fiber optic products maintain a 99% availability and are part of the broadest selection in the industry.

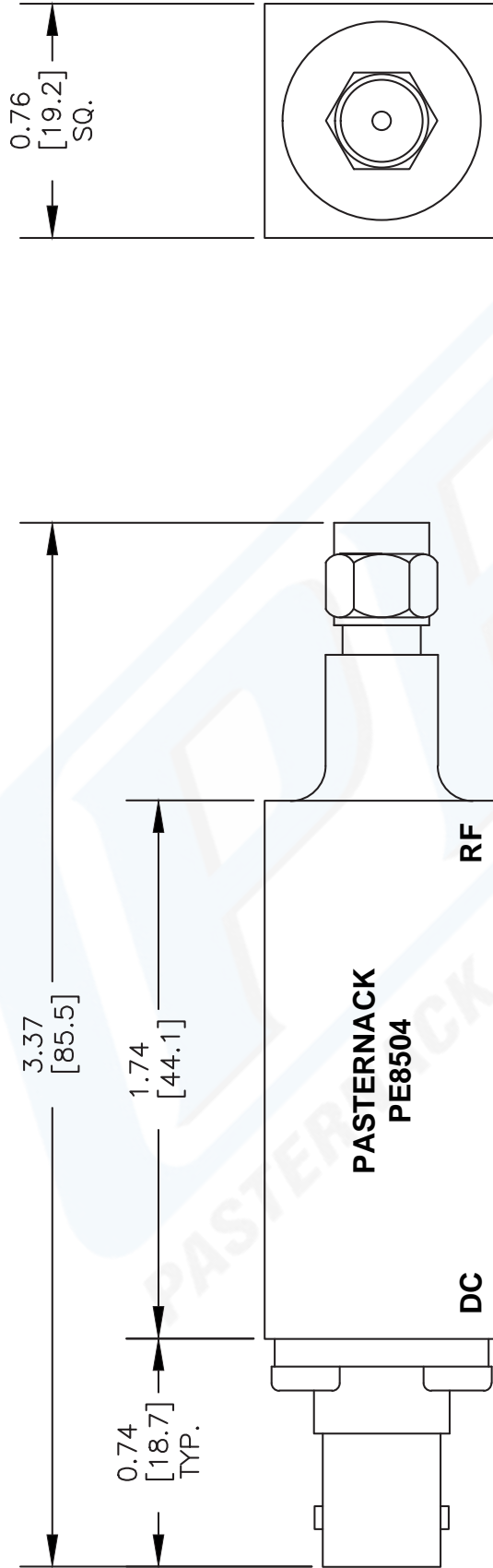
Click the following link (or enter part number in "SEARCH" on website) to obtain additional part information including price, inventory and certifications: [50 Ohm SMA Medium Power Noise Source With A Noise Output ENR Of 15.15 dB From 12 GHz to 18 GHz PE8504](http://www.pasternack.com/noise-generators-12-18-ghz-pe8504-p.aspx)

URL: <http://www.pasternack.com/noise-generators-12-18-ghz-pe8504-p.aspx>

The information contained in this document is accurate to the best of our knowledge and representative of the part described herein. It may be necessary to make modifications to the part and/or the documentation of the part, in order to implement improvements. Pasternack reserves the right to make such changes as required. Unless otherwise stated, all specifications are nominal.

# PE8504 CAD Drawing

50 Ohm SMA Medium Power Noise Source With A Noise Output ENR Of 15.15 dB From 12 GHz to 18 GHz



NOTES:  
 1. UNLESS OTHERWISE SPECIFIED ALL DIMENSIONS ARE NOMINAL.  
 2. ALL SPECIFICATIONS ARE SUBJECT TO CHANGE WITHOUT NOTICE AT ANY TIME.  
 3. DIMENSIONS ARE IN INCHES [mm].

DWG TITLE  
**PE8504**

**PE PASTERNAK®**  
 Pasternack Enterprises, Inc.  
 P.O. Box 16759 | Irvine | CA | 92623  
**Phone:** (949) 261-1920 | **Fax:** (949) 261-7451  
**Website:** www.pasternack.com | **E-Mail:** sales@pasternack.com

REV. B	FSCM NO. 53919	CAD FILE	030308-B	SCALE	N/A	SIZE	A
--------	----------------	----------	----------	-------	-----	------	---

147
-----