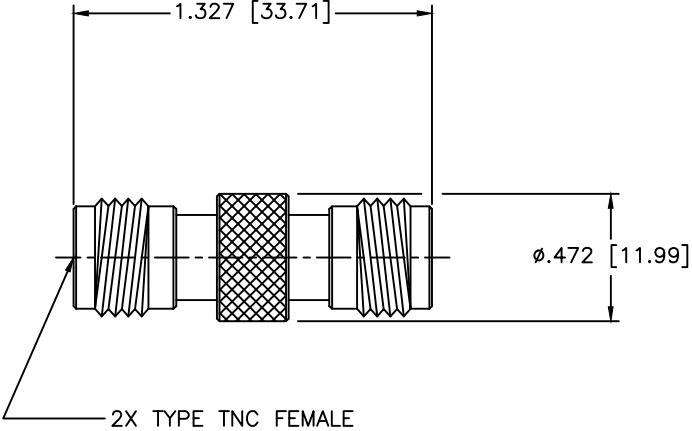


REVISIONS				
ZONE	REV	DESCRIPTION	Date	APPROVED



MATERIAL:	
DRAWN: Paiboon Luekhamhan	DATE: 02-10-2010
APPROVED: T. Nguyen	DATE: 02-10-2010



MICROWAVE COMMUNICATIONS LABORATORIES INC.  
7255 30TH AVE. N. SAINT PETERSBURG, FL 33710  
TEL: (727) 344-6254 FAX: (727) 381-6116  
http://WWW.MCLI.COM

SCALE:	N/A
SHEET:	N/A

UNLESS OTHERWISE SPECIFIED:  
TOLERANCES  
IN (INCHES) OR [mm] (MILLIMETERS)  
FRACTIONS: ± 1/64  
DECIMALS: ±.02 ±.015  
ANGLE: ±1/2°

DRAWING TITLE:  
TNC JACK TO JACK ADAPTER

PART NO.  
ADT-11-JJ

PROPRIETARY NOTICE:  
THE INFORMATION IN THIS DRAWING IS PROPRIETARY  
AND SHALL NOT BE USED OR DISCLOSED WITHOUT WRITTEN  
PERMISSION FROM MICROWAVE COMMUNICATIONS  
LABORATORIES INC. (MCLI)

THIRD ANGLE PROJECTION

CAGE CODE:	SIZE:	REV:	DWG NO.
OD2L5	N/A	N/A	84689
DO NOT SCALE THE DRAWING			