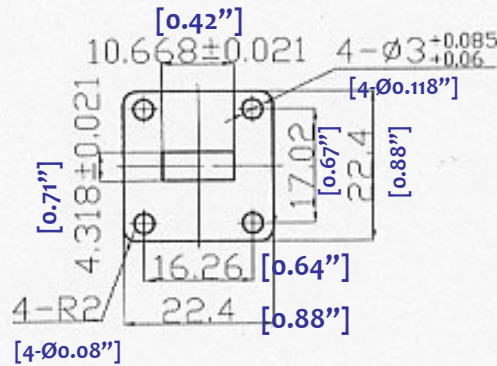
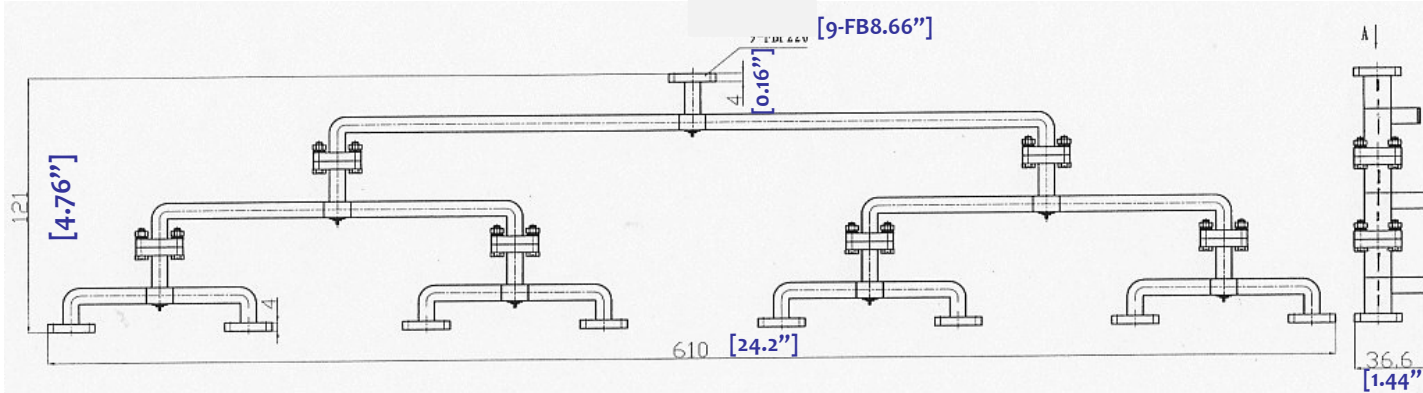



WAVEGUIDE WR42 8-WAY POWER COMBINER- RWCB42W8



3.0 Electrical Specifications		
3.1	Frequency Range	F Center 26.5-40GHz (19.7-21.7GHz As shown)
3.2	Insertion Loss	0.5dB
3.3	VSWR	1.30 : 1
3.4	Unbalanced Degree	0.3dB
3.5	Bandwidth	10~20%

1.0 Mechanical Specifications		
1.1	Waveguide type	Rectangular Waveguide WR42
1.2	Flange type	COVER (Other type available)
1.3	Flange Holes	Through
1.4	Basis-material	Aluminum or Cuprum Alloyed
1.5	Internal Body Finish	Silver Plated chromate or conversion
1.6	External Body Finish	Body painted with gray/black epoxy enamel

2.0 Environment specifications		
2.1	Operation Temp.	-40°C~+85°C
2.2	Storage Temp.	-60°C~+125°C
2.3	Altitude	45000 ft
2.4	Vibration	10g rms (15 degree 2KHz)
2.5	Humidity	100% RH at 35c, 95%RH at 40 deg c
2.6	Shock	20G for 11msc

PAGE 1 OF 1		DATE	Aug 23 rd 2003
<p>PROPRIETARY INFORMATION THE INFORMATION CONTAINED IN THIS DOCUMENT IS THE PROPERTY OF RF-LAMBDA EXCEPT AS SPECIFICALLY AUTHORIZED IN WRITINGS BY RF-LAMBDA. THE HOLDER OF THIS DOCUMENT SHALL KEEP ALL INFORMATION CONTAINED HEREIN CONFIDENTIAL AND SHALL PROTECT SAME IN THE WHOLE OR IN PART FROM DISCLOSURE AND DISSEMINATION OF ALL THIRD PARTIES AND SHALL USE SAME FOR OPERATING AND MAINTENANCE PURPOSES ONLY</p>  <p>RWCB42W8 WAVEGUIDE COMBINER</p> <p>www.rflambda.com</p>		DESIGN	RFPC
		RF-LAMBDA	RFPC
		CAD MODEL REVISION	10
		ASSEMBLY REVISION	VS2DS
		ASSEMBLY NAME	RFLVR02
		DRAWING NUMBER	D01-1
RF-LAMBDA		SIZE	LT
		SHEETS	1 OF 1