



Zero Biased Detector With 75 Ohm BNC Male to BNC Female Video Out Operating From 1 MHz to 1,000 MHz

TECHNICAL DATA SHEET

PE8000-75

**Zero Biased Detector With 75 Ohm BNC Male to BNC Female Video Out Operating From 1 MHz to 1,000 MHz**

**Configuration**

Bias Type	Zero Biased Detector
Detector Polarity	Positive
Body Style	Straight
RF Input Connector	BNC Male
RF Input Impedance	75 Ohms
Video Output Connector	BNC Female

**Electrical Specifications**

Frequency Range, MHz	1 to 1,000
Tangential Signal Sensitivity	-20
Maximum VSWR	1.2:1
Flatness, dB	± 0.2
Video Capacitance, pF	1,000

**Mechanical Specifications**

**Size**

Length, in [mm]	2.02 [51.31]
Width/Dia., in [mm]	0.571 [14.5]

**RF Input**

Type	BNC Male
Dielectric Type	PTFE
Inner Conductor Material and Plating	Silver
Coupling Nut Material and Plating	Brass, Nickel
Body Material and Plating	Brass, Nickel

**Video Output**

Type	BNC Female
Dielectric Type	PTFE
Inner Conductor Material and Plating	Silver
Body Material and Plating	Brass, Nickel

Click the following link (or enter part number in "SEARCH" on website) to obtain additional part information including price, inventory and certifications: [Zero Biased Detector With 75 Ohm BNC Male to BNC Female Video Out Operating From 1 MHz to 1,000 MHz PE8000-75](#)

The information contained in this document is accurate to the best of our knowledge and representative of the part described herein. It may be necessary to make modifications to the part and/or the documentation of the part, in order to implement improvements. Pasternack reserves the right to make such changes as required. Unless otherwise stated, all specifications are nominal.





Zero Biased Detector With 75 Ohm BNC Male to BNC  
Female Video Out Operating From 1 MHz to 1,000 MHz

TECHNICAL DATA SHEET

PE8000-75

**Compliance Certifications** (visit [www.Pasternack.com](http://www.Pasternack.com) for current document)

**Plotted and Other Data**

Notes:

Values at 25 °C, sea level

Zero Biased Detector With 75 Ohm BNC Male to BNC Female Video Out Operating From 1 MHz to 1,000 MHz from Pasternack Enterprises has same day shipment for domestic and International orders. Our RF, microwave and fiber optic products maintain a 99% availability and are part of the broadest selection in the industry.

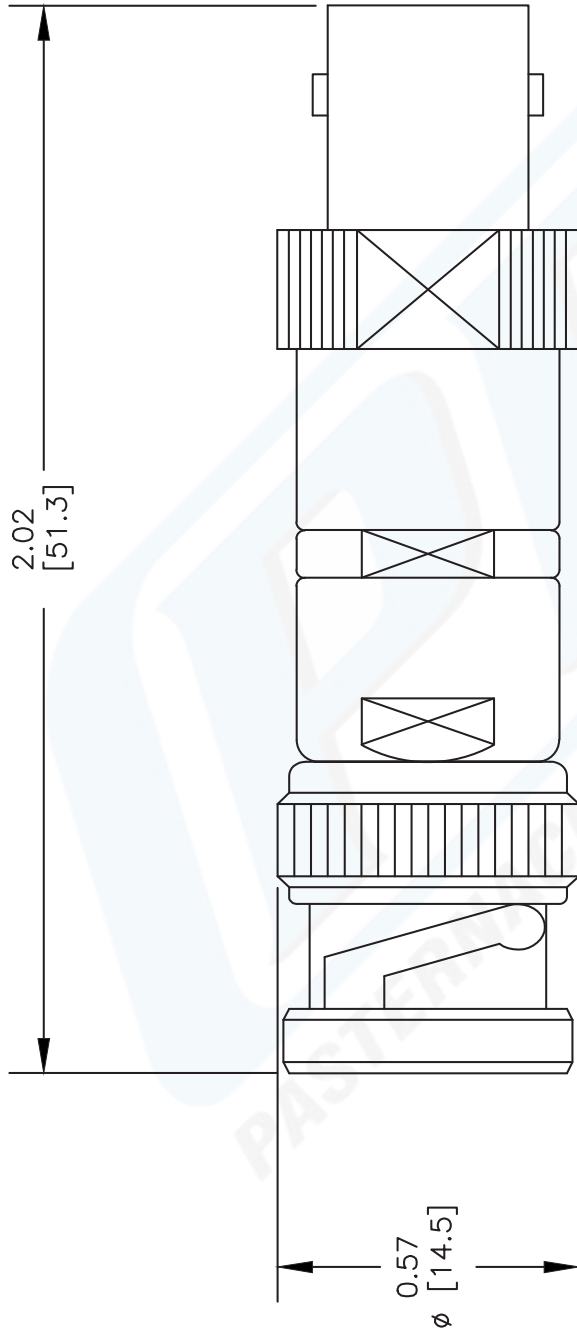
Click the following link (or enter part number in "SEARCH" on website) to obtain additional part information including price, inventory and certifications: [Zero Biased Detector With 75 Ohm BNC Male to BNC Female Video Out Operating From 1 MHz to 1,000 MHz PE8000-75](http://www.pasternack.com/75-ohm-bnc-detector-100khz-1000-mhz-pe8000-75-p.aspx)

URL: <http://www.pasternack.com/75-ohm-bnc-detector-100khz-1000-mhz-pe8000-75-p.aspx>

The information contained in this document is accurate to the best of our knowledge and representative of the part described herein. It may be necessary to make modifications to the part and/or the documentation of the part, in order to implement improvements. Pasternack reserves the right to make such changes as required. Unless otherwise stated, all specifications are nominal.

# PE8000-75 CAD Drawing

Zero Biased Detector With 75 Ohm BNC Male to BNC Female  
Video Out Operating From 1 MHz to 1,000 MHz



NOTES:  
1. UNLESS OTHERWISE SPECIFIED ALL DIMENSIONS ARE NOMINAL.  
2. ALL SPECIFICATIONS ARE SUBJECT TO CHANGE WITHOUT NOTICE AT ANY TIME.  
3. DIMENSIONS ARE IN INCHES [mm].

DWG TITLE  
**PE8000-75**

REV. B FSCM NO. 53919

147

SIZE A

SCALE N/A

CAD FILE 011210-B

**PE PASTERNAK®**  
Pasternack Enterprises, Inc.  
P.O. Box 16759 | Irvine | CA | 92623  
Phone: (949) 261-1920 | Fax: (949) 261-7451  
Website: www.pasternack.com | E-Mail: sales@pasternack.com