



Industrial Microwave +
Plasma Systems

MUEGGE

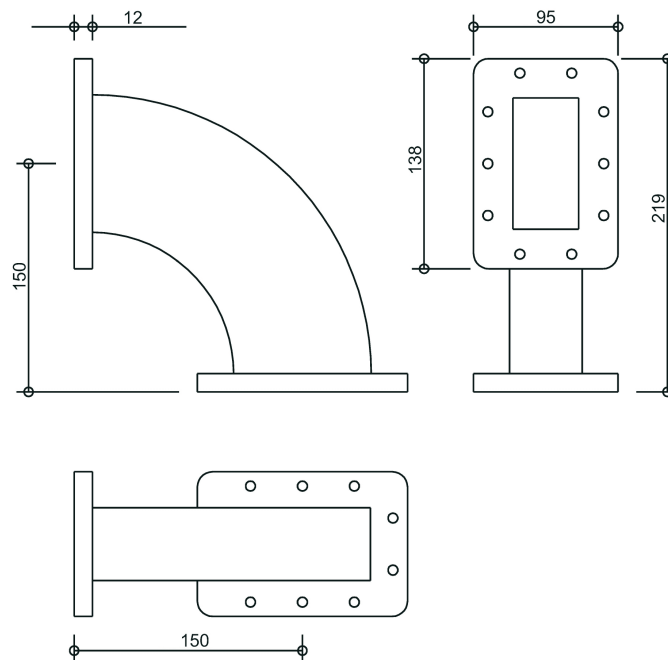
H-Bend MW3001B-260ED

Waveguide Components (90° / 2450 MHz / WR 340)

Features:

- Low VSWR
- Low insertion loss
- Full waveguide band performance

Outline Dimensions (mm):



MUEGGE GMBH
Hochstraße 4-6 · 64385 Reichelsheim
Fon +49 (0) 6164 - 93 07 11 · Fax +49 (0) 6164 - 93 07 93
info@muegge.de · www.muegge.de

H-Bend MW3001B-260ED

Industrial Microwave +
Plasma Systems



Specifications:

Frequency:	2450 MHz +/-30 MHz
HF-Power:	Max. 6 kW
Waveguide:	WR 340
Waveguide flange:	PDR 26
Angle:	90 °
Radius:	150 mm
Weight:	Approx. 800 g
Material:	Aluminum
Finish:	Painted (RAL 7035)
Dimensions (L x W x H):	219 mm x 95 mm x 219 mm

Options:

- Material (e.g.: copper, brass)
- Special finish (e.g.: chromated, etched, silver plated, painted)
- Special flanges
- Arbitrary angle
- Special radius