



## 5 Section Highpass Filter With SMA Female Connectors Operating From 300 MHz To 1000 MHz With a 700 MHz Passband

### TECHNICAL DATA SHEET

PE8718

#### 5 Section Highpass Filter With SMA Female Connectors Operating From 300 MHz To 1000 MHz With a 700 MHz Passband

##### Configuration

Connector 1	SMA Female
Connector 2	SMA Female
Passband Frequency Range, MHz	300 to 1,000

##### Electrical Specifications

Passband Minimum Frequency, MHz	300
Passband Maximum Frequency, MHz	1000
Useable Frequency Range, MHz	DC to 1,000
Impedance, Ohms	50
Maximum Insertion Loss, dB	1
Passband Maximum VSWR	2:1
Maximum Input Power, Watts	5
Rejection at 150 MHz	60 dB
Rejection at 200 MHz	40 dB

##### Mechanical Specifications

###### Size

Length, in [mm]	1.1 [27.94]
Width, in [mm]	0.75 [19.05]
Height, in [mm]	0.65 [16.51]

###### Connector 1

Type	SMA Female
------	------------

###### Connector 2

Type	SMA Female
------	------------

##### Compliance Certifications (visit [www.Pasternack.com](http://www.Pasternack.com) for current document)

RoHS Compliant	Yes
----------------	-----

##### Plotted and Other Data

Notes: Values at 25 °C, sea level

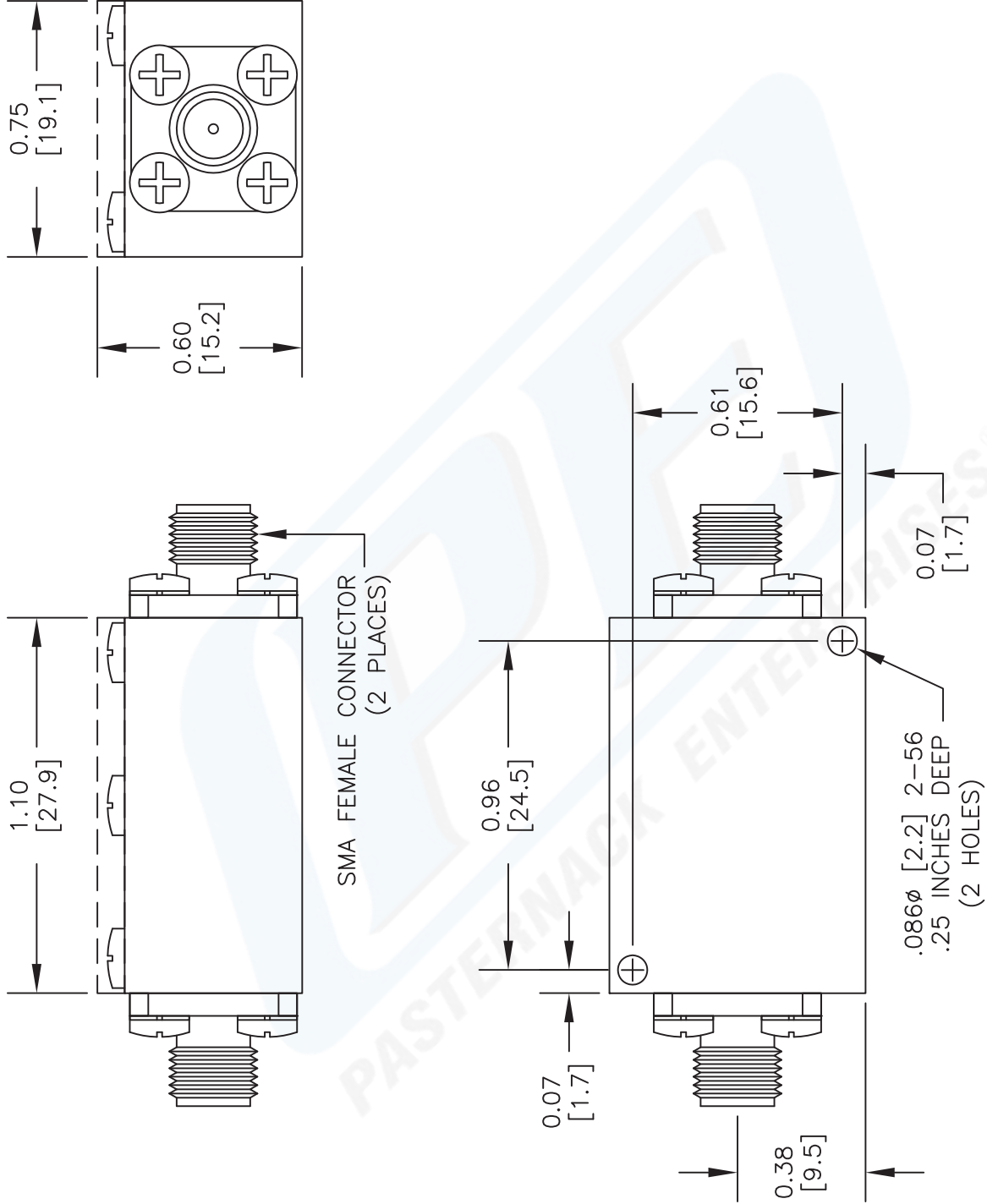
URL: <http://www.pasternack.com/5-section-high-pass-filter-300-mhz-1000-mhz-passband-700-mhz-pe8718-p.aspx>

5 Section Highpass Filter With SMA Female Connectors Operating From 300 MHz To 1000 MHz With a 700 MHz Passband from Pasternack Enterprises has same day shipment for domestic and International orders. Our RF, microwave and fiber optic products maintain a 99% availability and are part of the broadest selection in the industry.

The information contained in this document is accurate to the best of our knowledge and representative of the part described herein. It may be necessary to make modifications to the part and/or the documentation of the part, in order to implement improvements. Pasternack reserves the right to make such changes as required. Unless otherwise stated, all specifications are nominal.

# PE8718 CAD Drawing

5 Section Highpass Filter With SMA Female Connectors Operating  
From 300 MHz To 1000 MHz With a 700 MHz Passband



NOTES:  
 1. UNLESS OTHERWISE SPECIFIED ALL DIMENSIONS ARE NOMINAL.  
 2. ALL SPECIFICATIONS ARE SUBJECT TO CHANGE WITHOUT NOTICE AT ANY TIME.  
 3. DIMENSIONS ARE IN INCHES [mm].

DWG TITLE  
**PE8718**

**PASTERNAK ENTERPRISES, INC.**  
 P.O. BOX 16759, IRVINE, CA 92623  
 PHONE (949) 261-1920 FAX (949) 261-7451  
 WEB ADDRESS: www.pasternack.com  
 E-MAIL ADDRESS: sales@pasternack.com  
**COAXIAL & FIBER OPTICS**  
 ESTABLISHED 1972

2233

SIZE A

SCALE N/A

CAD FILE 042712

FSCM NO. 53919

REV. -