



WR-112 to N Female Waveguide to Coax Adapter 7.05 GHz to 10 GHz

TECHNICAL DATA SHEET

PE9820

WR-112 to N Female Waveguide to Coax Adapter 7.05 GHz to 10 GHz

Configuration

| | |
|------------------------|----------|
| Waveguide Interface | WR-112 |
| RF Connector | N Female |
| RF Connector Impedance | 50 Ohms |

Electrical Specifications

| | |
|----------------------|------------|
| Frequency Range, GHz | 7.05 to 10 |
| Maximum VSWR | 1.3:1 |

Mechanical Specifications

Size

| | |
|---------------------|--------------|
| Length, in [mm] | 2.47 [62.74] |
| Width/Dia., in [mm] | 1.87 [47.5] |
| Height, in [mm] | 1.13 [28.7] |

Waveguide Interface

| | |
|---------------------------|----------|
| Type | WR-112 |
| Body Material and Plating | Aluminum |

RF Connector

| | |
|---------------------------|----------------------------|
| Type | N Female |
| Body Material and Plating | Passivated Stainless Steel |

Compliance Certifications (visit www.Pasternack.com for current document)

Plotted and Other Data

Notes: Values at 25 °C, sea level

WR-112 to N Female Waveguide to Coax Adapter 7.05 GHz to 10 GHz from Pasternack Enterprises has same day shipment for domestic and International orders. Our RF, microwave and fiber optic products maintain a 99% availability and are part of the broadest selection in the industry.

Click the following link (or enter part number in "SEARCH" on website) to obtain additional part information including price, inventory and certifications: [WR-112 to N Female Waveguide to Coax Adapter 7.05 GHz to 10 GHz PE9820](http://www.pasternack.com/wr-112-n-female-waveguide-coax-adapter-7.05-ghz-10-ghz-pe9820-p.aspx)

URL: <http://www.pasternack.com/wr-112-n-female-waveguide-coax-adapter-7.05-ghz-10-ghz-pe9820-p.aspx>

The information contained in this document is accurate to the best of our knowledge and representative of the part described herein. It may be necessary to make modifications to the part and/or the documentation of the part, in order to implement improvements. Pasternack reserves the right to make such changes as required. Unless otherwise stated, all specifications are nominal.

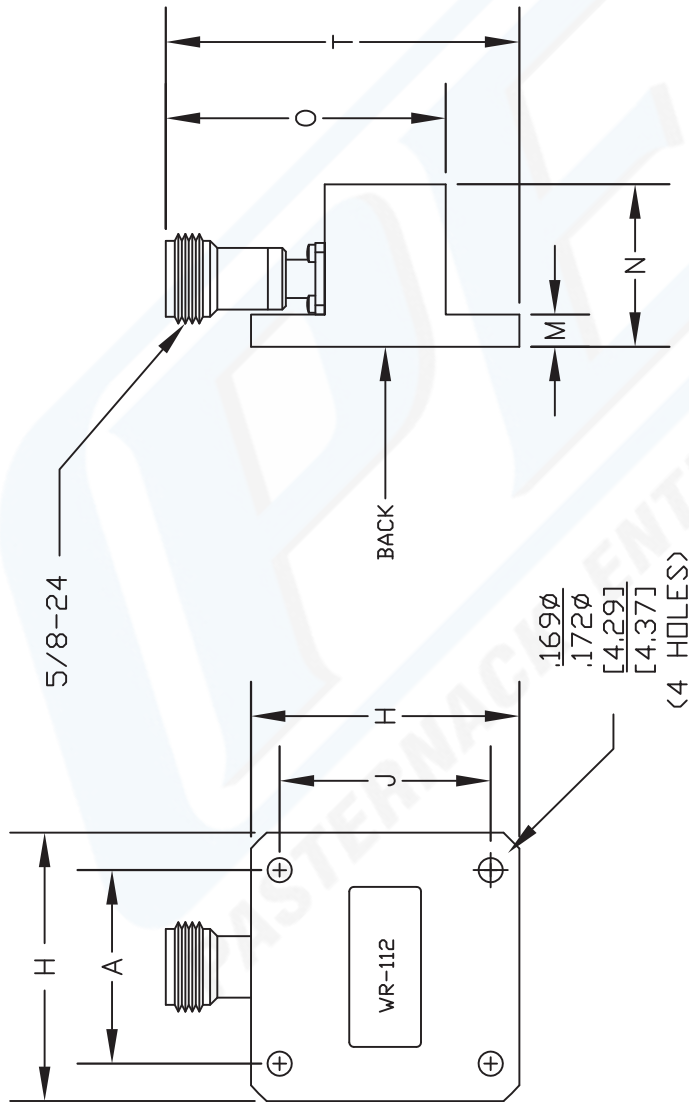


PE9820 CAD Drawing

WR-112 to N Female Waveguide to Coax Adapter 7.05 GHz to 10 GHz

| WR112 | | |
|-----------|--------|------|
| Dimension | Inches | mm |
| A | 1.352 | 34.3 |
| H | 1.875 | 47.6 |
| J | 1.474 | 37.4 |

| | | |
|----------|-------|------|
| M | 0.225 | 5.7 |
| N | 1.135 | 28.8 |
| O (TYP.) | 1.955 | 49.7 |
| T (TYP.) | 2.47 | 62.7 |



BACK VIEW

DWG TITLE

PE9820

NOTES:
 1. UNLESS OTHERWISE SPECIFIED ALL DIMENSIONS ARE NOMINAL.
 2. ALL SPECIFICATIONS ARE SUBJECT TO CHANGE WITHOUT NOTICE AT ANY TIME.
 3. DIMENSIONS ARE IN INCHES [mm].

FSCM NO. 53919

CAD FILE 013113-B

SCALE N/A

SIZE A

2231

PE PASTERNAK®
 Pasternack Enterprises, Inc.
 P.O. Box 16759 | Irvine | CA | 92623
 Phone: (949) 261-1920 | Fax: (949) 261-7451
 Website: www.pasternack.com | E-Mail: sales@pasternack.com