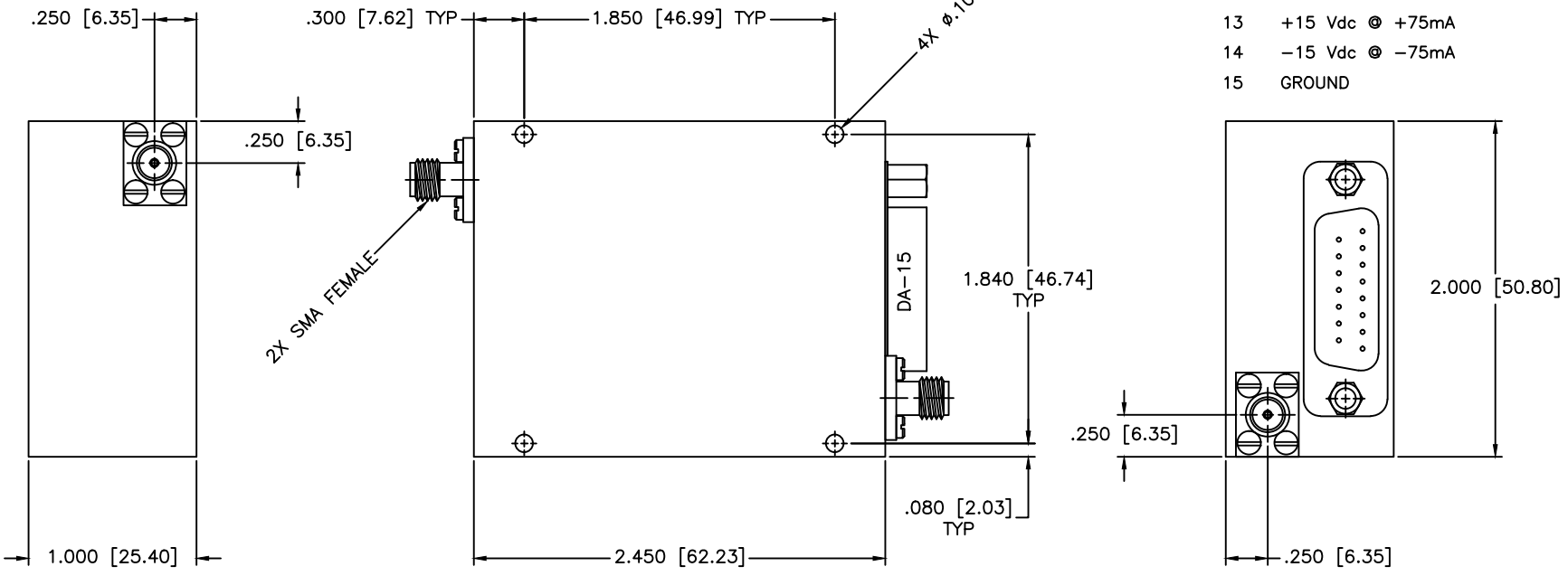


REVISIONS				
ZONE	REV	DESCRIPTION	DATE	APPROVED



POWER/LOGIC PIN-OUT

PIN	FUNCTIONS
1	GROUND
2	CONTROL INPUT
13	+15 Vdc @ +75mA
14	-15 Vdc @ -75mA
15	GROUND

SPECIFICATIONS

Frequency Range: 4–8 GHz
 Insertion Loss: 2.2dB Max.
 Attenuation Range: 10dB, 20dB, 40dB, 60dB
 VSWR: 1.70:1 Max.
 Attenuation Flatness To:
 10±0.4dB Max.
 20±1.0dB Max.
 40±1.6dB Max.
 60±1.8dB Max.

MATERIAL:		MCLI MICROWAVE COMMUNICATIONS LABORATORIES INC. 7255 30TH AVE. N. SAINT PETERSBURG, FL 33710 TEL: (727) 344-6254 FAX: (727) 381-6116 http://WWW.MCLI.COM	SCALE:	N/A
			SHEET:	N/A
UNLESS OTHERWISE SPECIFIED: TOLERANCES IN (INCHES) OR [mm] (MILLIMETERS) FRACTIONS: ± XX DECIMALS: ±.009 ANGLE: ±1/2°		DRAWING TITLE: VOLTAGE CONTROLLED PIN DIODE ATTENUATOR		
DRAWN: Paiboon Luekhamhan		PART NO. VC-5		
DATE: 04-02-2002		CAGE CODE: OD2L5		
APPROVED: T. Nguyen		SIZE: A		
DATE: 04-08-2002		REV: N/A		
THIRD ANGLE PROJECTION		DWG NO. 81927		
		DO NOT SCALE THE DRAWING		