

Terminations & Loads



Model 1428
Model 1435
High Power, N or SMK Connectors
Convection Cooled

dc to 1.5 GHz
dc to 6.0 GHz
150 Watts



POWER RATING: 150 watts average (mounted horizontally assuming unobstructed air flow and natural convection around unit) @ 25°C ambient temperature, derated linearly to 15 watts @ 125°C. 10 kilowatts peak (5 µsec pulse width; 0.75% duty cycle).

TEMPERATURE RANGE: -55°C to +125°C

TEST DATA: Swept data plots of SWR from 50 MHz to 1.5 / 6.0 GHz is available at additional cost.

CONNECTOR: Type N connector per MIL-STD-348 interface dimensions - mate nondestructively with MIL-C-39012 connector.

Model 1428: Add M for male or F for female
 Model 1435: Add -4 for male or -3 for female

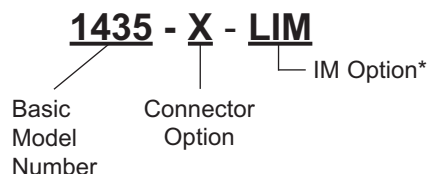
SMK (2.92mm) connector mates nondestructively with SMA per MIL-C-39012, 3.5mm and other 2.92mm (SMK) connector. Choice of male (-2) or female connector (-1). Model 1435 Only!

CONSTRUCTION: Black, finned aluminum body, stainless steel connector; gold plated beryllium copper female contact or stainless steel male contact.

WEIGHT: 1,130 g (2 lbs, 8 oz)

MODEL NUMBER DESCRIPTION:

Example:



* Add -LIM to entire model number for Low Intermodulation option.

Features

- /// **Low SWR** - Maximum SWR remains low through full frequency and power range.
- /// **Rugged Construction** - Quality connector with special high temperature support beads.

Specifications

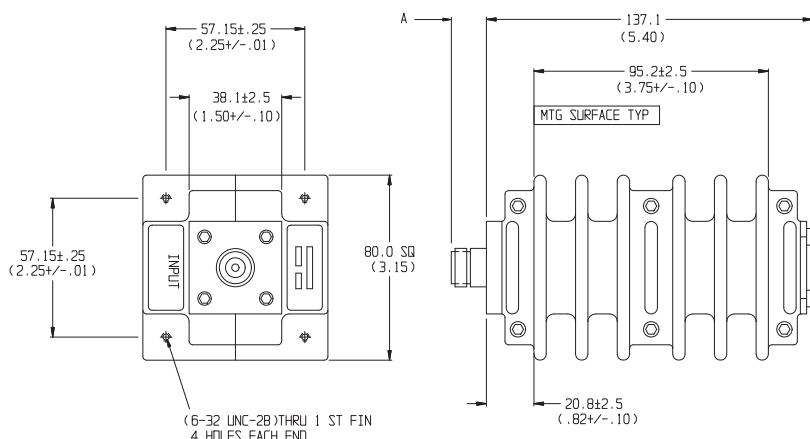
NOMINAL IMPEDANCE: 50 Ω

FREQUENCY RANGE: Model 1428: dc to 1.5 GHz
 Model 1435: dc to 6.0 GHz

MAXIMUM SWR:	
Frequency (GHz)	SWR
dc - 2	1.10
2 - 6	1.15

INTERMODULATION (Model 1435-X-LIM Only): IM3 (Reflected) = -100 dBc with two input signals @ 869 MHz and 891 MHz with an average power of +43 dBm each.

PHYSICAL DIMENSIONS:



NOTE: All dimensions are given in mm (inches) and are maximum, unless otherwise specified.

Model #	DIM A	Connector Type
1435-1	12.7 (0.50)	2.92mm female
1435-2	14.0 (0.55)	2.92mm male
F1428, 1435-3	15.0 (0.59)	N female
M1428, 1435-4	22.9 (0.90)	N male