

KR 2441-BNC Bandpass Filter

General Description

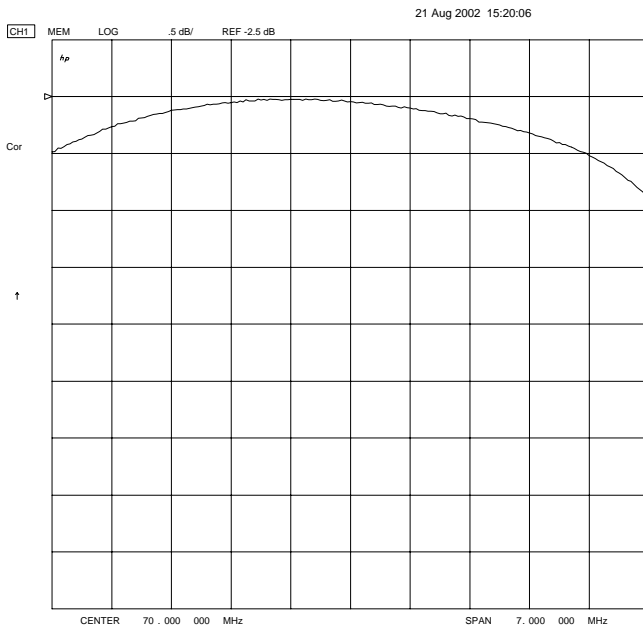
KR 2441-BNC is a 70 MHz bandpass filter. The filter is supplied with BNC connectors. It can also be ordered with SMA connectors or in a surface mount package of 0.5 x 1.5 x 0.35". Other center frequencies and bandwidths available. Please consult the factory.

Features

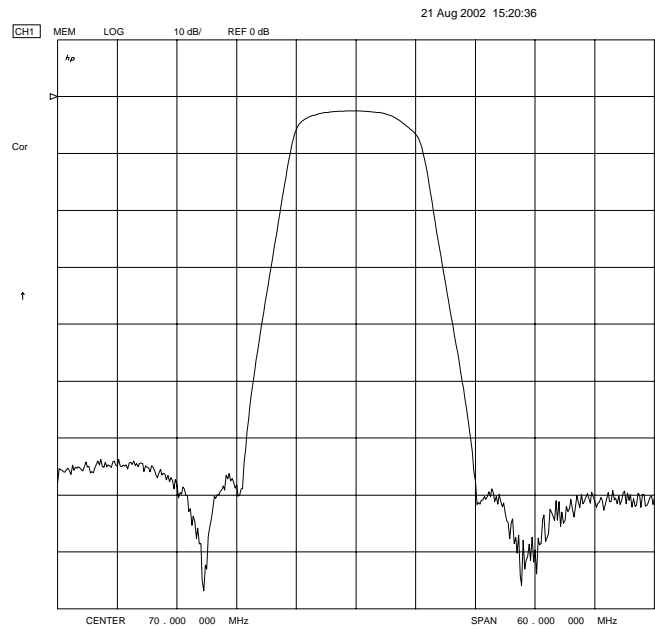
- BNC connectors
- Sharp Transition to Stopband
- >55 dB Stopband
- 50 Ω Source and Load

Typical Performance

Passband Amplitude
(0.5 dB/div)



Overall Response
(10 dB/div)



KR Electronics, Inc.
91 Avenel Street
Avenel, NJ 07001

Web www.krfilters.com
Email sales@krfilters.com
Phone (732) 636-1900
Fax (732) 636-1982

KR 2441-BNC Bandpass

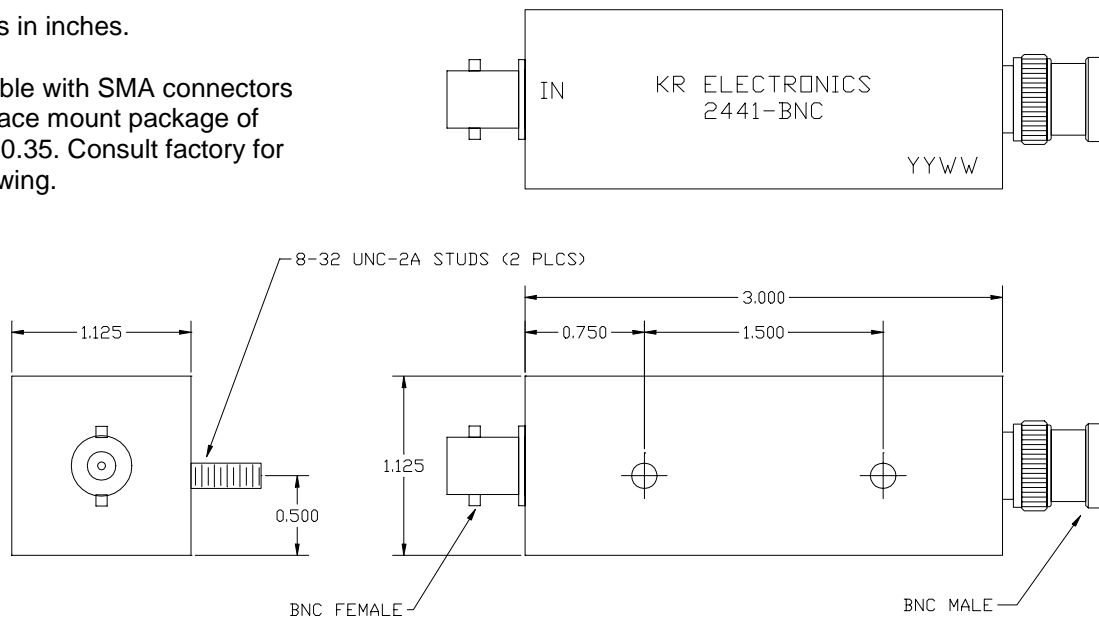
Specifications

Parameter	Specification
Filter type	Bandpass
Center Frequency	70 MHz
Insertion Loss	< 5 dB
Min 1 dB Bandwidth	7 MHz
Max 55 dB Bandwidth	23 MHz
Source and Load	50 Ω

Physical Dimensions

Dimensions in inches.

Also available with SMA connectors or in a surface mount package of 0.5 x 1.5 x 0.35. Consult factory for outline drawing.



KR Electronics, Inc.
91 Avenel Street
Avenel, NJ 07001

Web www.krfilters.com
Email sales@krfilters.com
Phone (732) 636-1900
Fax (732) 636-1982