

Coaxial

Voltage Controlled Oscillator

ZX95-2600+

50Ω 1650 to 2600 MHz

The Big Deal:

- Wide Band
- Low Phase Noise
- Robust design and construction
- Rigid unibody construction



CASE STYLE: GB956

Product Overview:

The ZX95-2600+ is a Voltage Controlled Oscillator, designed to operate from 1650 to 2600 MHz for Cable TV applications. The ZX95-2600+ built using Mini-Circuits proven unibody construction (size of 1.20" x .75" x .46") which integrates the RF connectors with the case body to shield against unwanted signals and noise.

Key Features

Feature	Advantages
Wide Band: from 1650 to 2600MHz	The model's wide bandwidth makes it suitable for a wide variety of applications, such as: CATV, military, test equipment etc...
Low Phase Noise: -102dBc/Hz typ at 10kHz offset	Low phase noise improves system EVM (Error Vector Magnitude).
Good Pushing, 1MHz/V typ.	Provides increased immunity against noisy DC lines and improves output frequency stability vs. variations in supply voltage.
Robust design and construction	Each internal component of the ZX95-2600+ is bonded to the substrate, providing better immunity to microphonics and reduced phase hit.



For detailed performance specs & shopping online see web site

P.O. Box 350166, Brooklyn, New York 11235-0003 (718) 934-4500 Fax (718) 332-4661 The Design Engineers Search Engine  Provides ACTUAL Data Instantly at minicircuits.com

IF/RF MICROWAVE COMPONENTS

Notes: 1. Performance and quality attributes and conditions not expressly stated in this specification sheet are intended to be excluded and do not form a part of this specification sheet. 2. Electrical specifications and performance data contained herein are based on Mini-Circuit's applicable established test performance criteria and measurement instructions. 3. The parts covered by this specification sheet are subject to Mini-Circuits standard limited warranty and terms and conditions (collectively, "Standard Terms"); Purchasers of this part are entitled to the rights and benefits contained therein. For a full statement of the Standard Terms and the exclusive rights and remedies thereunder, please visit Mini-Circuits' website at www.minicircuits.com/MCLStore/terms.jsp.

Coaxial

Voltage Controlled Oscillator

ZX95-2600+

Wide Band 1650 to 2600 MHz

Features

- wide band frequency range
- low phase noise
- low pushing
- protected by US patent 6,790,049

Applications

- r & d
- lab
- wireless communications
- cable TV
- test equipment
- military



CASE STYLE: GB956

Connectors	Model	Price	Qty.
SMA	ZX95-2600-S+	\$ 49.95 ea.	(1-9)

+RoHS Compliant

The +Suffix identifies RoHS Compliance. See our web site for RoHS Compliance methodologies and qualifications

Electrical Specifications

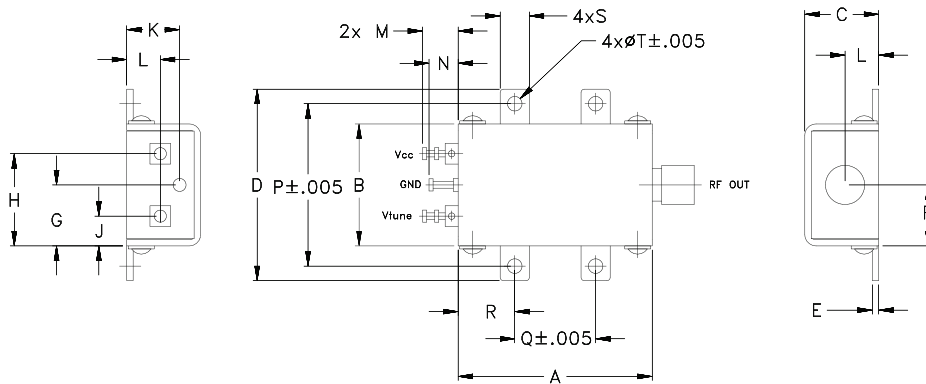
MODEL NO.	FREQ. (MHz)		POWER OUTPUT (dBm)	PHASE NOISE dBc/Hz SSB at offset frequencies, kHz				TUNING					NON HARMONIC SPURIOUS (dBc)	HARMONICS (dBc)		PULLING pk-pk @ 12 dB (MHz)	PUSHING (MHz/V)	DC OPERATING POWER	
	Min.	Max.		Typ.	1	10	100	1000	VOLTAGE RANGE (V)	SENSITIVITY (MHz/V)	PORT CAP (pF)	3 dB MODULATION BANDWIDTH (MHz)		Typ.	Typ.			Max.	Typ.
ZX95-2600+	1650	2600	+6	-75	-102	-122	-142	0.3	28	25-60	50	30	-90	-18	-	2.5	1	10	53

Maximum Ratings

Operating Temperature	-55°C to 85°C
Storage Temperature	-55°C to 100°C
Absolute Max. Supply Voltage (Vcc)	10.5V
Absolute Max. Tuning Voltage (Vtune)	30.0V
All specifications	50 ohm system

Permanent damage may occur if any of these limits are exceeded.

Outline Drawing



Outline Dimensions (inch/mm)

A	B	C	D	E	F	G	H	J	K	L	M	N	P	Q	R	S	T	wt.
1.20	.75	.46	1.18	.04	.38	.38	.57	.18	.33	.21	.22	.18	1.00	.50	.35	.18	.106	grams
30.48	19.05	11.68	29.97	1.02	9.65	9.65	14.48	4.57	8.38	5.33	5.59	4.57	25.40	12.70	8.89	4.57	2.69	35.0



For detailed performance specs & shopping online see web site

P.O. Box 350166, Brooklyn, New York 11235-0003 (718) 934-4500 Fax (718) 332-4661 The Design Engineers Search Engine Provides ACTUAL Data Instantly at minicircuits.com

Notes: 1. Performance and quality attributes and conditions not expressly stated in this specification sheet are intended to be excluded and do not form a part of this specification sheet. 2. Electrical specifications and performance data contained herein are based on Mini-Circuit's applicable established test performance criteria and measurement instructions. 3. The parts covered by this specification sheet are subject to Mini-Circuits standard limited warranty and terms and conditions (collectively, "Standard Terms"); Purchasers of this part are entitled to the rights and benefits contained therein. For a full statement of the Standard Terms and the exclusive rights and remedies thereunder, please visit Mini-Circuits' website at www.minicircuits.com/MCLStore/terms.jsp.

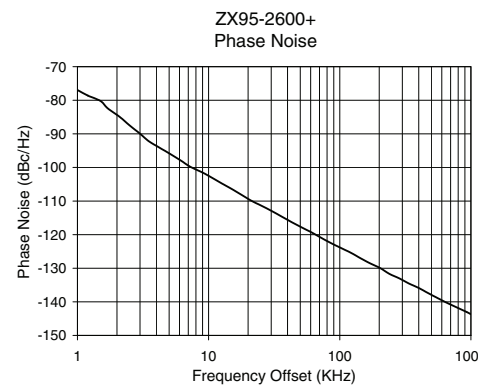
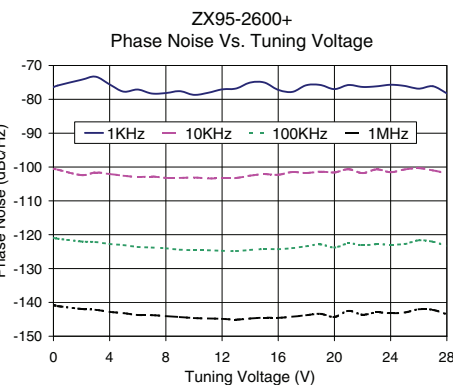
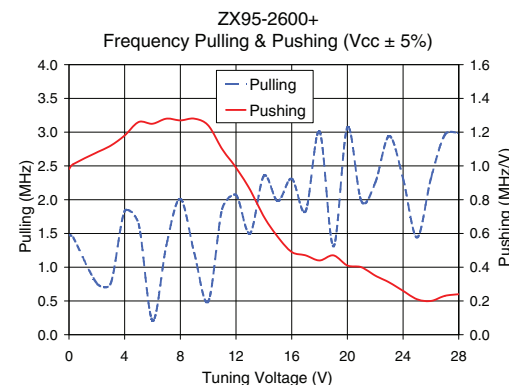
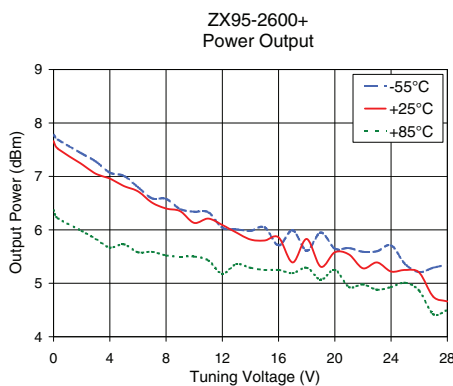
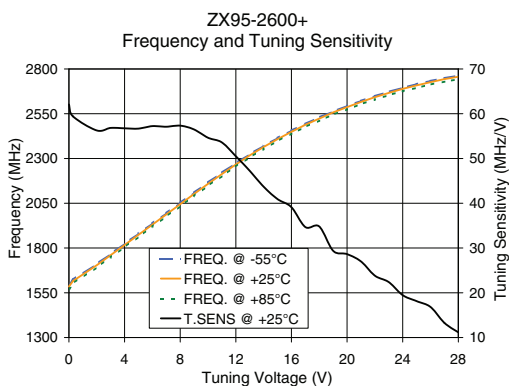
REV. OR
M128690
EDR-9315F2
ZX95-2600+
RAV
120904
Page 2 of 3

Performance Data & Curves*

ZX95-2600+

V TUNE	TUNE SENS (MHz/V)	FREQUENCY (MHz)			POWER OUTPUT (dBm)			Icc (mA)	HARMONICS (dBc)			FREQ. PUSH (MHz/V)	FREQ. PULL (MHz)	PHASE NOISE (dBc/Hz) at offsets				FREQ OFFSET (KHz)	PHASE NOISE at 2125 MHz (dBc/Hz)
		-55°C	+25°C	+85°C	-55°C	+25°C	+85°C		F2	F3	F4			1kHz	10kHz	100kHz	1MHz		
0.00	62.08	1593.1	1585.0	1570.1	7.78	7.66	6.37	44.67	-15.9	-29.6	-34.8	0.98	1.48	-76.4	-100.5	-120.9	-140.8	1.0	-76.96
0.30	59.38	1623.8	1616.1	1602.4	7.69	7.52	6.22	44.69	-15.9	-30.1	-35.5	1.01	1.44	-75.9	-100.8	-121.2	-141.1	2.1	-84.94
2.00	56.27	1711.2	1703.8	1691.7	7.43	7.23	5.98	44.78	-16.1	-31.3	-37.4	1.08	0.76	-74.2	-102.4	-122.0	-142.0	3.5	-92.21
3.00	56.84	1767.6	1760.1	1748.2	7.28	7.05	5.83	44.82	-15.8	-32.3	-41.2	1.12	0.76	-73.3	-101.6	-122.2	-142.2	6.1	-97.88
5.00	56.68	1881.1	1873.7	1861.9	7.01	6.82	5.73	44.98	-16.2	-34.8	-35.6	1.26	1.64	-77.7	-102.6	-123.1	-143.2	8.7	-101.25
7.00	57.09	1995.1	1987.6	1975.9	6.59	6.51	5.59	45.13	-16.4	-32.1	-33.2	1.28	1.33	-78.3	-102.8	-123.8	-143.8	10.0	-102.49
8.00	57.35	2052.5	2044.6	2033.3	6.58	6.40	5.52	45.18	-17.2	-30.7	-29.5	1.27	2.01	-78.2	-103.2	-124.0	-144.1	21.1	-109.87
10.00	54.64	2166.0	2158.5	2147.0	6.34	6.13	5.50	45.32	-17.3	-30.2	-34.7	1.24	0.49	-78.7	-103.1	-124.6	-144.6	36.1	-114.63
11.00	53.58	2220.9	2213.1	2202.3	6.33	6.21	5.43	45.36	-18.5	-31.5	-33.4	1.10	1.86	-78.1	-103.4	-124.6	-144.7	61.6	-119.43
12.00	50.51	2274.3	2266.7	2255.8	6.04	6.09	5.18	45.40	-18.5	-29.6	-34.8	0.99	2.07	-77.1	-103.3	-124.8	-144.9	86.4	-122.59
13.00	47.25	2324.3	2317.2	2305.8	6.01	5.95	5.36	45.42	-20.5	-31.0	-32.4	0.86	1.50	-76.8	-103.2	-124.8	-145.1	100.0	-123.79
14.00	43.70	2371.2	2364.5	2353.2	5.98	5.82	5.29	45.39	-19.7	-34.5	-34.4	0.70	2.35	-75.1	-102.5	-124.5	-144.8	145.0	-127.09
16.00	39.13	2456.4	2449.1	2438.2	5.71	5.86	5.25	45.33	-20.3	-29.9	-41.2	0.49	2.31	-77.2	-102.3	-124.3	-144.6	170.2	-128.54
18.00	34.80	2530.5	2522.9	2511.4	5.61	5.83	5.29	45.24	-20.4	-29.3	-44.1	0.44	3.01	-75.8	-101.8	-123.4	-143.8	203.5	-129.97
20.00	28.63	2594.0	2587.1	2574.8	5.65	5.58	5.25	45.16	-21.4	-27.2	-45.7	0.41	3.07	-77.0	-101.6	-123.8	-144.3	285.6	-133.06
22.00	23.82	2648.7	2642.7	2629.5	5.59	5.28	4.98	45.04	-22.0	-25.4	-43.0	0.35	2.25	-76.4	-101.8	-123.2	-143.6	335.4	-134.52
24.00	19.47	2694.6	2688.9	2675.3	5.71	5.22	4.93	44.94	-23.3	-24.3	-42.1	0.26	2.31	-75.7	-101.5	-122.9	-143.2	470.7	-137.38
25.00	18.14	2715.8	2708.4	2694.7	5.36	5.25	5.01	44.91	-23.9	-23.5	-42.8	0.21	1.44	-76.0	-100.7	-122.7	-143.0	562.6	-138.97
27.00	13.26	2748.9	2743.3	2729.2	5.29	4.75	4.42	44.82	-24.8	-25.2	-40.5	0.23	2.96	-76.1	-101.0	-122.1	-142.2	927.2	-143.03
28.00	11.16	2762.6	2756.6	2742.1	5.35	4.66	4.50	44.83	-24.4	-23.8	-43.0	0.24	2.99	-78.2	-101.8	-123.3	-143.5	1000.0	-143.70

*at 25°C unless mentioned otherwise



For detailed performance specs & shopping online see web site

P.O. Box 350166, Brooklyn, New York 11235-0003 (718) 934-4500 Fax (718) 332-4661 The Design Engineers Search Engine Provides ACTUAL Data Instantly at minicircuits.com

Notes: 1. Performance and quality attributes and conditions not expressly stated in this specification sheet are intended to be excluded and do not form a part of this specification sheet. 2. Electrical specifications and performance data contained herein are based on Mini-Circuit's applicable established test performance criteria and measurement instructions. 3. The parts covered by this specification sheet are subject to Mini-Circuits standard limited warranty and terms and conditions (collectively, "Standard Terms"); Purchasers of this part are entitled to the rights and benefits contained therein. For a full statement of the Standard Terms and the exclusive rights and remedies thereunder, please visit Mini-Circuits' website at www.minicircuits.com/MCLStore/terms.jsp.