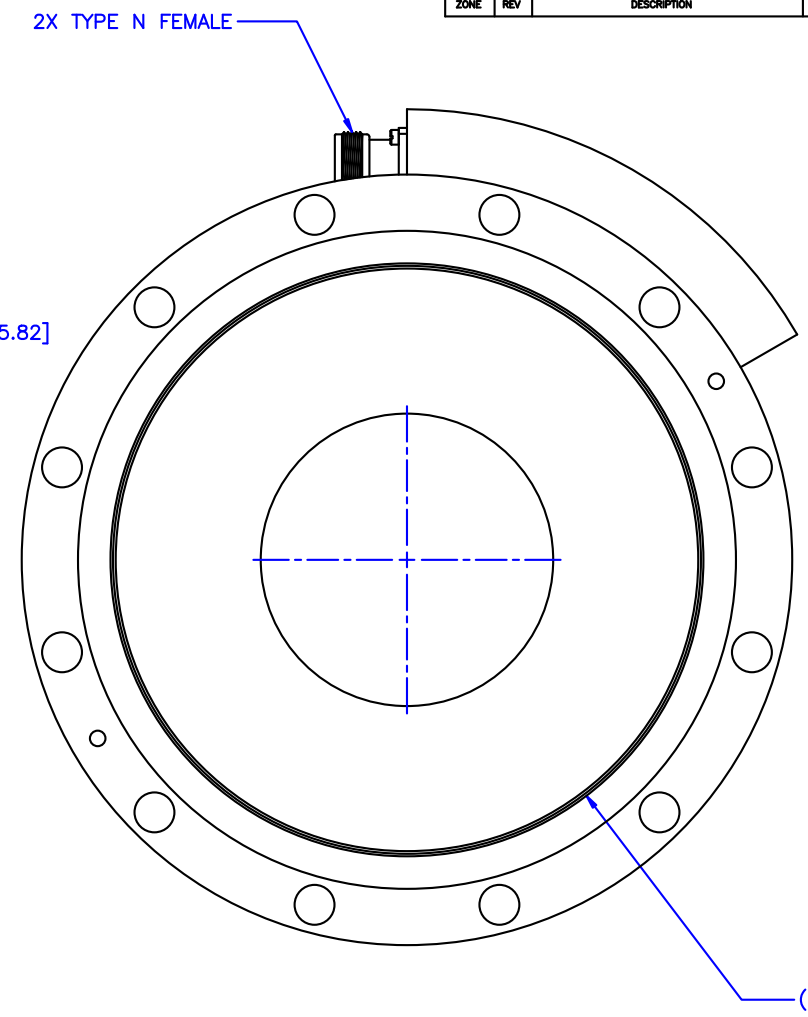
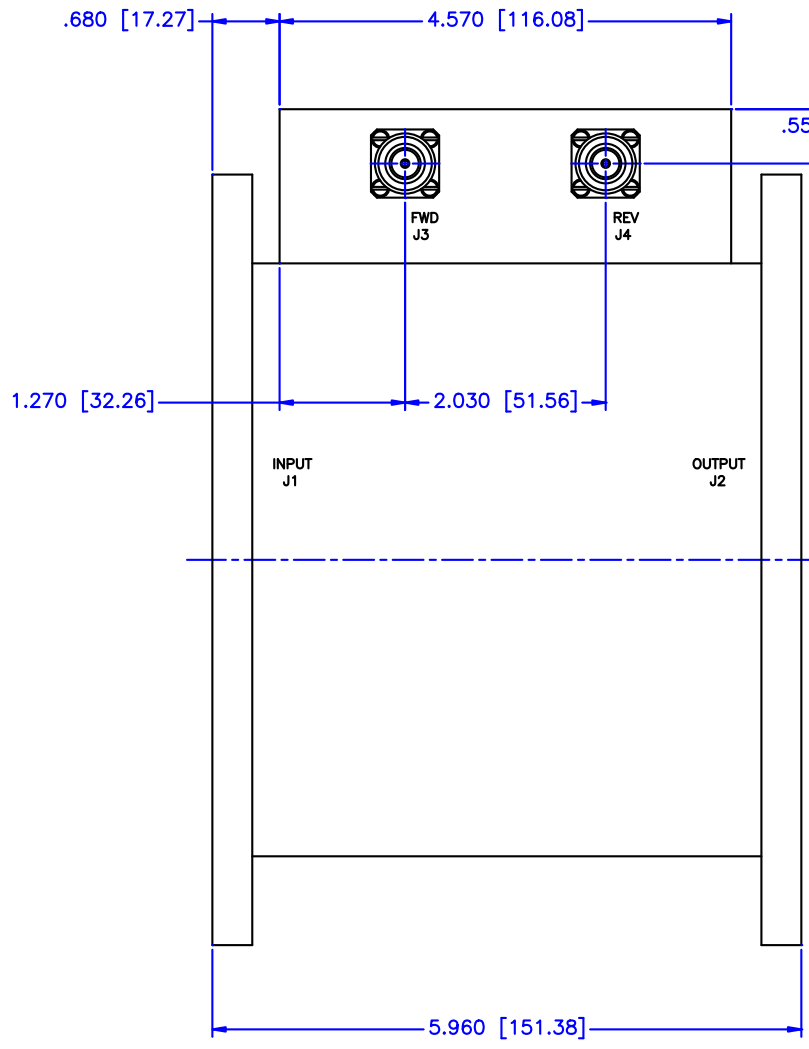


REVISIONS				
ZONE	REV	DESCRIPTION	DATE	APPROVED

D  
C  
B  
A

D  
C  
B  
A



**SPECIFICATIONS:**  
 FREQUENCY RANGE: 1-30 MHz  
 FLATNESS:  $\pm 0.30\text{dB}$   
 INSERTION LOSS: 0.05dB Max.  
 DIRECTIVITY: 35dB Min.  
 VSWR: 1.05:1 Max.  
 POWER: 100kW CW

MATERIAL:		<b>MCLI</b> MICROWAVE COMMUNICATIONS LABORATORIES INC. 7255 30TH AVE. N. SAINT PETERSBURG, FL 33710 TEL: (727) 344-6254 FAX: (727) 381-6116 <a href="http://WWW.MCLI.COM">http://WWW.MCLI.COM</a>	SCALE: N/A
DRAWN: Paiboon Luekhamhan			DATE: 01-06-2011
APPROVED: T. Nguyen		DATE: 01-06-2011	DRAWING TITLE: <b>HIGH POWER DUAL DIRECTIONAL COUPLER</b> PART NO.: <b>HDL-18-70/100K</b>
UNLESS OTHERWISE SPECIFIED: TOLERANCES IN (INCHES) OR [mm] (MILLIMETERS) FRACTIONS: $\pm 1/64$ DECIMALS: $\pm 0.01 \pm 0.005$ ANGLE: $\pm 1/2^\circ$		CAGE CODE: OD2L5 SIZE: C REV: N/A DWG NO.: 85196	DO NOT SCALE THE DRAWING

4 3 2 1