

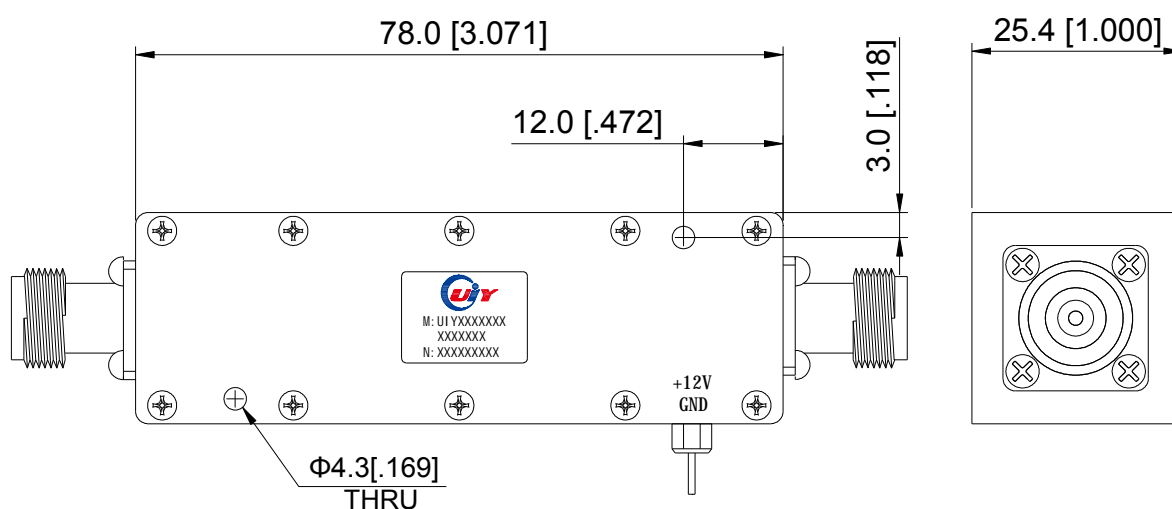
## 136 to 174MHz – Low Noise Amplifier UIYLNA7825B

RF Characteristics @T=25°C, VDD=+12VDC; 50Ω System					
Parameter	Symbol	Min	Type	Max	Unit
Operating Frequency	BW	136		174	MHz
Power Output CW	Po	-5	0	5	dBm
Power Gain @CW	G	15	18	20	dB
Input Power	Pin	-20	-15	-10	dBm
Gain Flatness	ΔG		±1.0	±1.5	dB
Input VSWR	S11		1.5:1		
Odd Harmonics @CW	H	-15	-17		dBc
Even Harmonics @CW	H	-30	-35		dBc
Noise Figure	NF		1.0	1.5	dB
Spurious Signals	Spur		-60		dBc
Operating Voltage	VDC	8	12	15	Volt
Current Consumption@ Po=-5dBm	Ib		100	100	mA
Operating Temperature	Tc	-40		+60	°C
Storage Temperature	Tstg	-55		+70	°C

<sup>2</sup> Listed are specific frequency ranges and other ranges are available.  
<sup>2</sup> Please provide the below informations when inquiring and mark \* is required.  
 \* 1. The specific pass band frequency range  
 \* 2. The specific Gain and Power  
 \* 3. Other special requests.

### Mechanical Drawing

Note: External heatsink is needed in this module



Unit: mm/ inch, General part tolerance is ±0.2mm unless otherwise stated.

Ver. 5

A2-5G, Zhujiang Plaza, Longxiang Blvd, Longgang District, Shenzhen 518172, China.

Tel: +86-755-25999990 25999909 Fax: +86-755-25999959 E-mail: sales@uiy.com Web: www.uiy.com