



WR-15 Waveguide Horn Antenna Operating From 50 GHz to 75 GHz With a Nominal 24 dBi Gain With UG-385/U Flange

TECHNICAL DATA SHEET

PE9881-24

Configuration

Frequency Range	50 to 75 GHz
Interface 1	WR-15

Electrical Specifications (Values at 25°C, sea level)

Description	Minimum	Typical	Maximum	Units
Nominal Gain	24			dBi

Mechanical Specifications

Size

Length	2.74 in [69.6 mm]
Width	1.52 in [38.61 mm]
Height	1.16 in [29.46 mm]
Weight	0.281 lbs [127.46 g]

Compliance Certifications (visit www.Pasternack.com for current document)

RoHS Compliant

Plotted and Other Data

Notes:

- Values at 25 °C, sea level
- Beam Pattern 12 Degrees

WR-15 Waveguide Horn Antenna Operating From 50 GHz to 75 GHz With a Nominal 24 dBi Gain With UG-385/U Flange from Pasternack Enterprises has same day shipment for domestic and International orders. Our RF, microwave and millimeter wave products maintain a 99% availability and are part of the broadest selection in the industry.

Click the following link (or enter part number in "SEARCH" on website) to obtain additional part information including price, inventory and certifications: [WR-15 Waveguide Horn Antenna Operating From 50 GHz to 75 GHz With a Nominal 24 dBi Gain With UG-385/U Flange PE9881-24](http://www.pasternack.com/single-antenna-operates-from-50-75-ghz-with-a-nominal-dbi-gain-wr-15-input-connectors-pe9881-24-p.aspx)

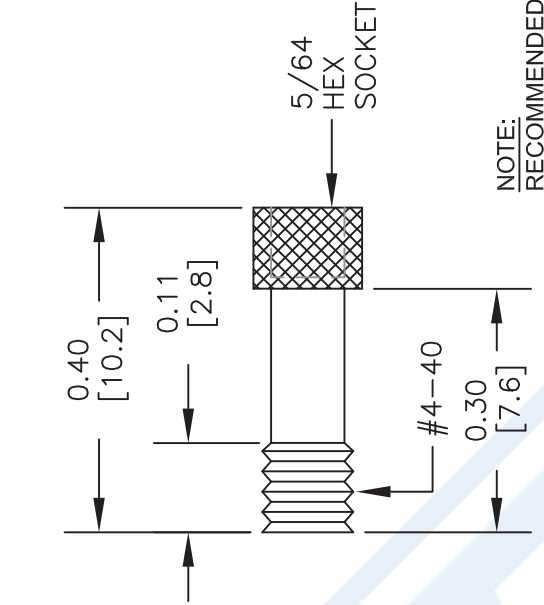
URL: <http://www.pasternack.com/single-antenna-operates-from-50-75-ghz-with-a-nominal-dbi-gain-wr-15-input-connectors-pe9881-24-p.aspx>

The information contained in this document is accurate to the best of our knowledge and representative of the part described herein. It may be necessary to make modifications to the part and/or the documentation of the part, in order to implement improvements. Pasternack reserves the right to make such changes as required. Unless otherwise stated, all specifications are nominal. Pasternack does not make any representation or warranty regarding the suitability of the part described herein for any particular purpose, and Pasternack does not assume any liability arising out of the use of any part or documentation.

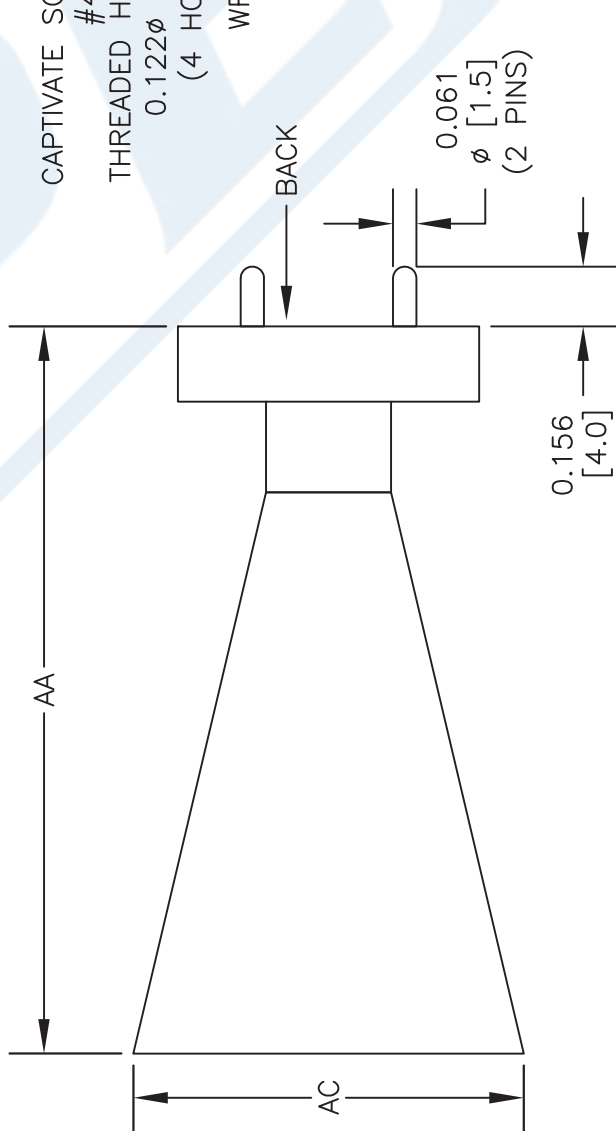
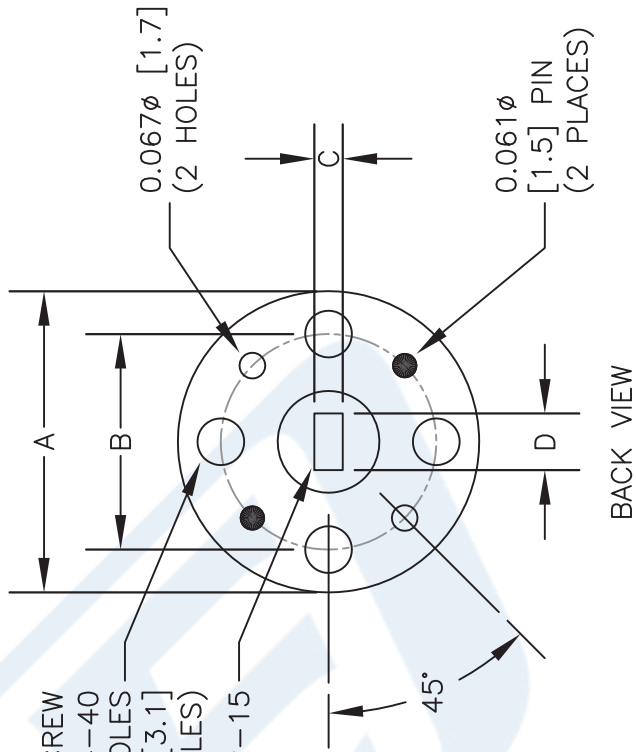
PE9881-24 CAD Drawing

WR-15 Waveguide Horn Antenna Operating From 50 GHz to 75 GHz
With a Nominal 24 dBi Gain With UG-385/U Flange

WR-15		Dimension	Inches	mm
A			0.750	19.05
B			0.563	14.30
C			0.074	1.88
D			0.148	3.76
AA			2.740	69.60
AB			1.200	30.48
AC			1.160	29.46
AD			1.520	38.61



NOTE:
RECOMMENDED TORQUE
IS 8 IN-LB



NOTES:
1. UNLESS OTHERWISE SPECIFIED ALL DIMENSIONS ARE NOMINAL.
2. ALL SPECIFICATIONS ARE SUBJECT TO CHANGE WITHOUT NOTICE AT ANY TIME.
3. DIMENSIONS ARE IN INCHES [mm].

DWG TITLE

PE9881-24

FSCM NO. 53919

CAD FILE 031714

SCALE N/A

SIZE A

150

PE PASTERNAK
THE ENGINEER'S RF SOURCE

Pasternack Enterprises, Inc.
P.O. Box 16759 | Irvine | CA | 92623

Phone: (949) 261-1920 | Fax: (949) 261-7451
Website: www.pasternack.com | E-Mail: sales@pasternack.com