

Surface Mount Circulators

Part Number: KTSC-0902C2

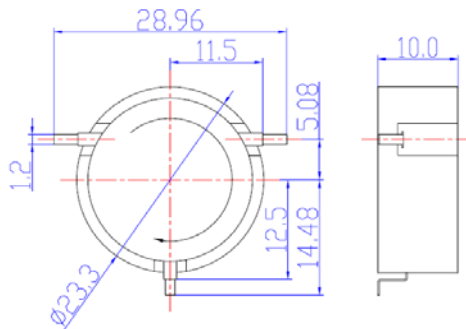
Main Features:

- Frequency Range: 0.86GHz - 0.96GHz
- High Isolation, Low Insertion Loss, Small Size
- Wide Operating Temperature: -10°C ~+85°C
- Commercial, Military and Space Applications

Electrical Specifications at Room Temperature:

Part Number	Freq. Range (GHz)	Bandwidth Max. (MHz)	Insertion Loss Max. (dB)	Isolation Min. (dB)	Return Loss Min.	Forward Power (W)	Round Size Dia.(mm)
KTSC-0902C2	0.86 - 0.96	100	0.4	18	18	100	Φ23.3

Mechanical Dimensions (mm):



HOW TO ORDER

