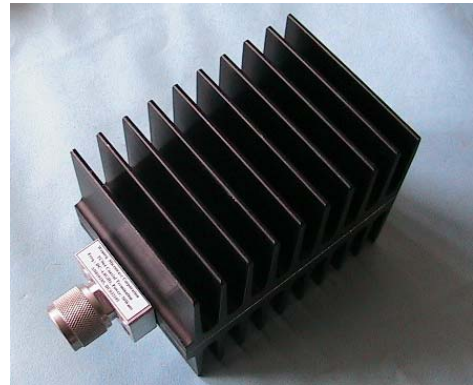
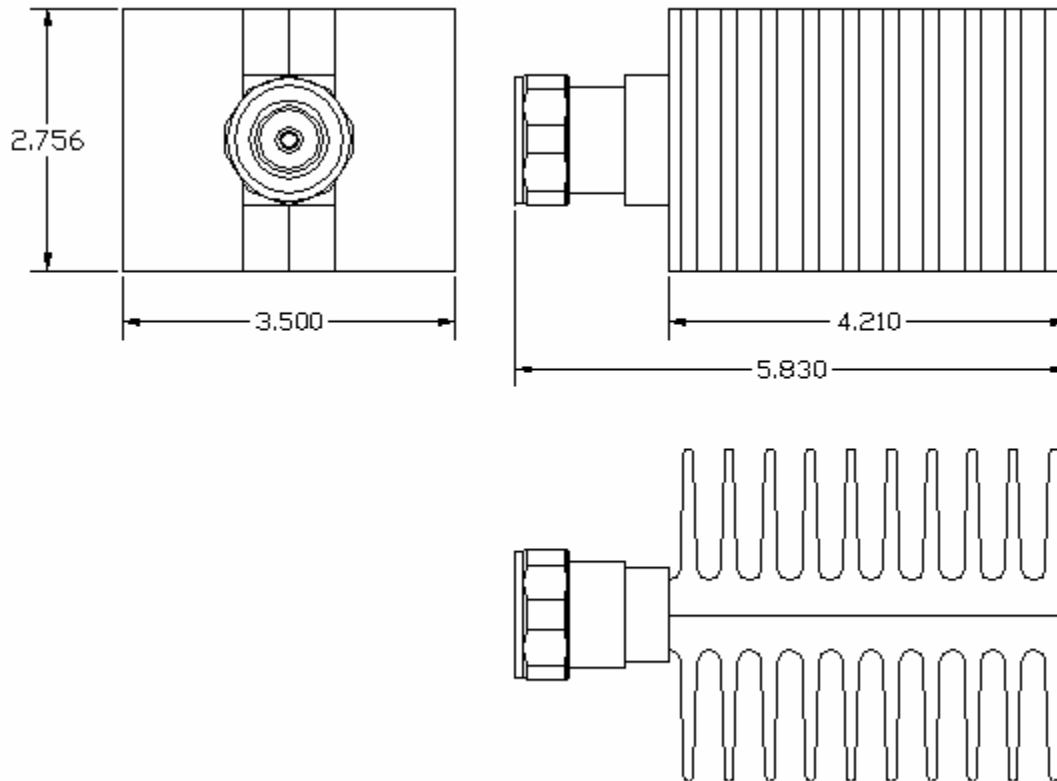


**Electrical Specifications:**

- Frequency Range: DC~4.0GHz
- VSWR: 1.15:1 below 2GHz, 1.25:1 to 4GHz
- Average Power: 50 Watts
- Peak Power: 5 kWatts, 5 $\mu$ S duration
- Connector: 50 ohm DIN 7/16 male
- Size: 5.830 $\times$ 3.500 $\times$ 2.756 inch
- Weight: ~2.0lb (0.9kg)
- Cooling: Air

**Mechanical Structure:**

Note: All units in inches.