



SSS BAND PASS FILTER 5.13-5.35GHz



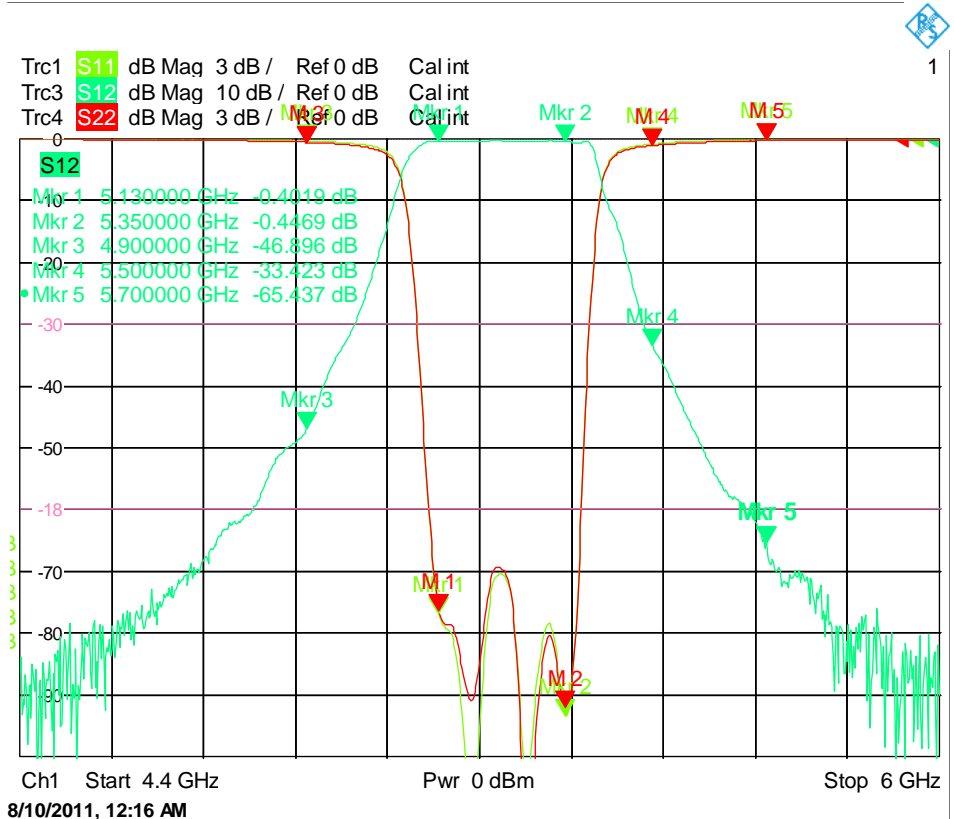
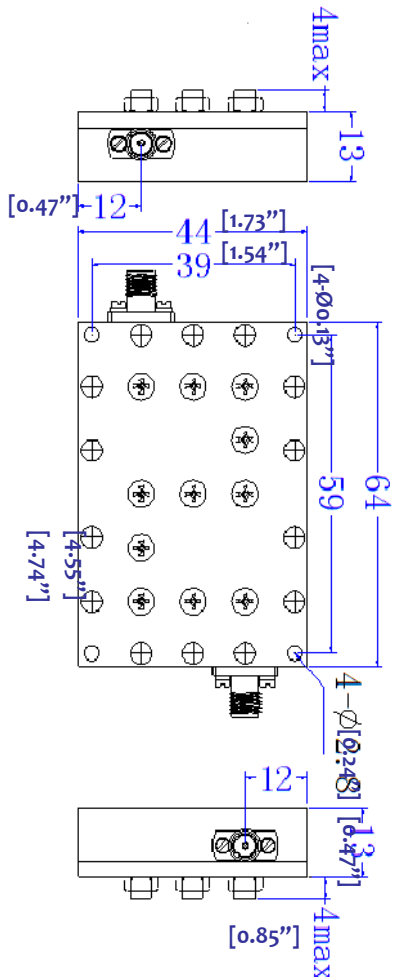
Summary:

- SSS Filter - Suspended Substrate Stripline Filter
- Flat frequency response and low insertion loss..
 - Covers the 1 GHz to 18 GHz Frequency Range
- Wide bandwidth and 3 dB BW Available from 5-50% (f_0)
- Designs that Cover up to 40 GHz Also Available
 - MIL-E-5400 standard

Pass Band (GHz)	Insertion Loss (dB)	Ripple(dB)	Return Loss(dB)	Rejection (dB)	Connector	Power (W)
5.13-5.35	0.5	0.3	18	30(@DC~4900MHz) 30@5500~5700MHz 40@5720~10000MHz	SMA-F	30

Environmental Specifications:

Operational Temp. Range: -55°C~+85°C
Storage Temp. Range: -55°C~+100°C



Band Pass Suspended Substrate Stripline Filter 5.13-5.35GHz