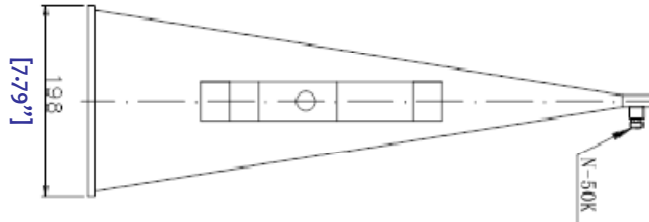
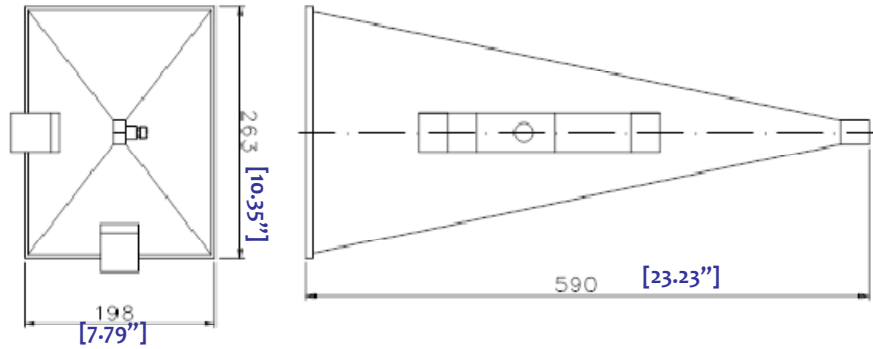
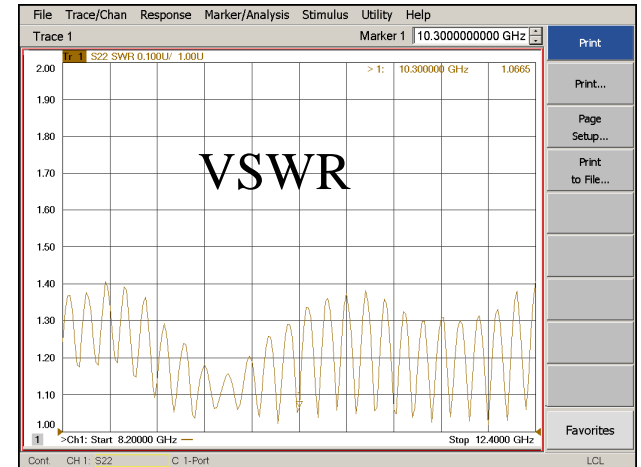


# WR90 WAVEGUIDE HORN ANTENNA – RW90HORN25E




3.0 Electrical Specifications		
3.1	Frequency Range	8.0~10GHz
3.2	Gain	25dB
3.3	VSWR	1.35:1 (max)
3.4	Beam Width	10 degree (E & H)



1.0 Mechanical Specifications		
1.1	Waveguide type	Rectangular Waveguide <b>WR90</b>
1.2	Flange type	CPRF, COVER
1.3	Flange Holes	Through
1.4	Basis-material	Brass
1.5	Internal Body Finish	Silver Plated chromate or conversion
1.6	External Body Finish	Body painted with gray/black epoxy enamel

2.0 Environment specifications	
2.1	Operation Temp. -40°C~+70°C
2.2	Storage Temp. -50°C~+125°C
2.3	Altitude 45000 ft
2.4	Vibration 10g rms (15 degree 2KHz)
2.5	Humidity 100% RH at 35c, 95%RH at 40 deg c
2.6	Shock 20G for 11msc

PAGE 1 OF 1		DATE Jun 21 <sup>st</sup> 2006
<small>PROPRIETARY INFORMATION THE INFORMATION CONTAINED IN THIS DOCUMENT IS THE PROPERTY OF RF-LAMBDA EXCEPT AS SPECIFICALLY AUTHORIZED IN WRITING BY RF-LAMBDA. THE HOLDER OF THIS DOCUMENT SHALL KEEP ALL INFORMATION CONTAINED HEREIN CONFIDENTIAL AND SHALL PROTECT SAME IN THE WHOLE OR IN PART FROM DISCLOSURE AND DISSEMINATION OF ALL THIRD PARTIES AND SHALL USE SAME FOR OPERATING AND MAINTENANCE PURPOSES ONLY</small>		DESIGN RFPC
		RF-LAMBDA RFPC
 <b>RW90HORN25E WAVEGUIDE HORN ANTENNA</b>		CAD MODEL REVISION 11
		ASSEMBLY REVISION VS5D5
		ASSEMBLY NAME RFLVR05
<a href="http://www.rflambda.com">www.rflambda.com</a>		DRAWING NUMBER D05-1
<b>RF-LAMBDA</b>		SIZE LT SHEETS 1 OF 1