



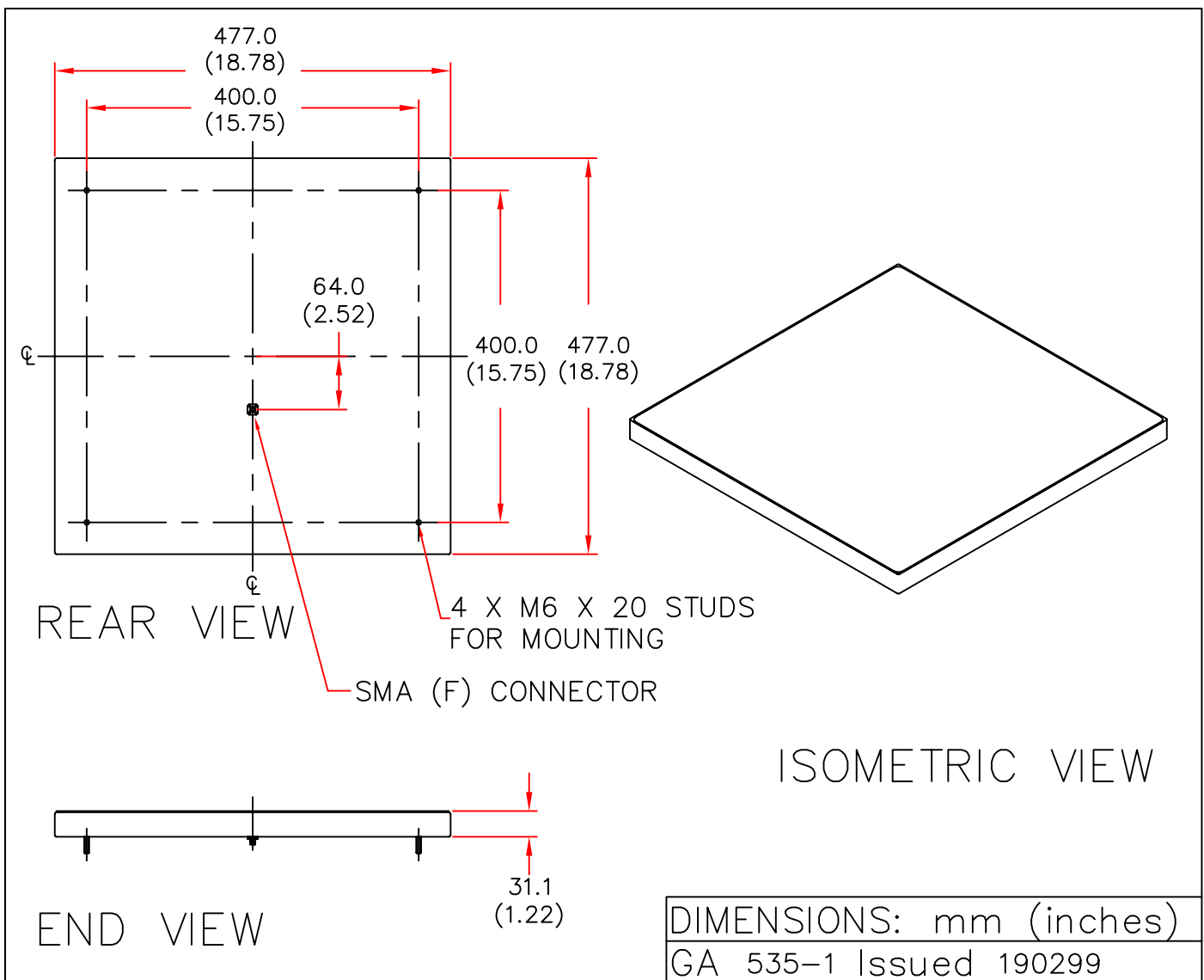
EUROPEAN ANTENNAS



LOW PROFILE ANTENNA

MODEL: LPA7-412R/535

FREQUENCY: 407.2 - 417.2MHz	GAIN: 7dBiC
POLARISATION: R H Circular	BEAMWIDTH: 70° x 70°
AXIAL RATIO: 3 - 6dB Typical	VSWR: 2:1 Max
POWER RATING: 10W	FRONT TO BACK: 20dB Typical
TEMPERATURE: -20°C to +50°C	MASS: 2.1Kg/4.62lbs
RADOME: Glass fibre/Gloss white	WIND LOADING: 36.9Kg/81.19lbs @ 100 mph



EUROPEAN ANTENNAS LTD.

TEL: +44 (0)1638 731888

LAMBDA HOUSE, CHEVELEY,
NEWMARKET, SUFFOLK, CB8 9RG,
UNITED KINGDOM.

FAX: +44 (0)1638 731999

European Antennas Ltd. has a policy of continuous development and therefore stress that the data contained on this sheet should be used for guidance only.