



50 Ohm 8 Way N Power Divider From 2 MHz to 500 MHz Rated at 1 Watts

TECHNICAL DATA SHEET

PE2046

50 Ohm 8 Way N Power Divider From 2 MHz to 500 MHz Rated at 1 Watts

Configuration

| | |
|------------------------|----------|
| Input Connector | N Female |
| Output Connectors | N Female |
| Frequency Range, MHz | 2 to 500 |
| Number of Output Ports | 8 |

Electrical Specifications

| | |
|----------------------------|----------|
| Frequency Range, MHz | 2 to 500 |
| Impedance, Ohms | 50 |
| Maximum Insertion Loss, dB | 2 |
| Maximum Input Power, Watts | 1 |
| Minimum Isolation, dB | 20 |
| Phase Balance, Degrees | ± 5 |
| Flatness, dB | 0.3 |

Mechanical Specifications

Size

| | |
|-----------------|---------------|
| Length, in [mm] | 6.92 [175.77] |
| Width, in [mm] | 3.27 [83.06] |
| Height, in [mm] | 0.93 [23.62] |

Compliance Certifications (visit www.Pasternack.com for current document)

Plotted and Other Data

Notes: Values at 25 °C, sea level

50 Ohm 8 Way N Power Divider From 2 MHz to 500 MHz Rated at 1 Watts from Pasternack Enterprises has same day shipment for domestic and International orders. Our RF, microwave and fiber optic products maintain a 99% availability and are part of the broadest selection in the industry.

Click the following link (or enter part number in "SEARCH" on website) to obtain additional part information including price, inventory and certifications: [50 Ohm 8 Way N Power Divider From 2 MHz to 500 MHz Rated at 1 Watts PE2046](http://www.pasternack.com/8-way-n-reactive-power-divider-2-mhz-500-mhz-10-watts-pe2046-p.aspx)

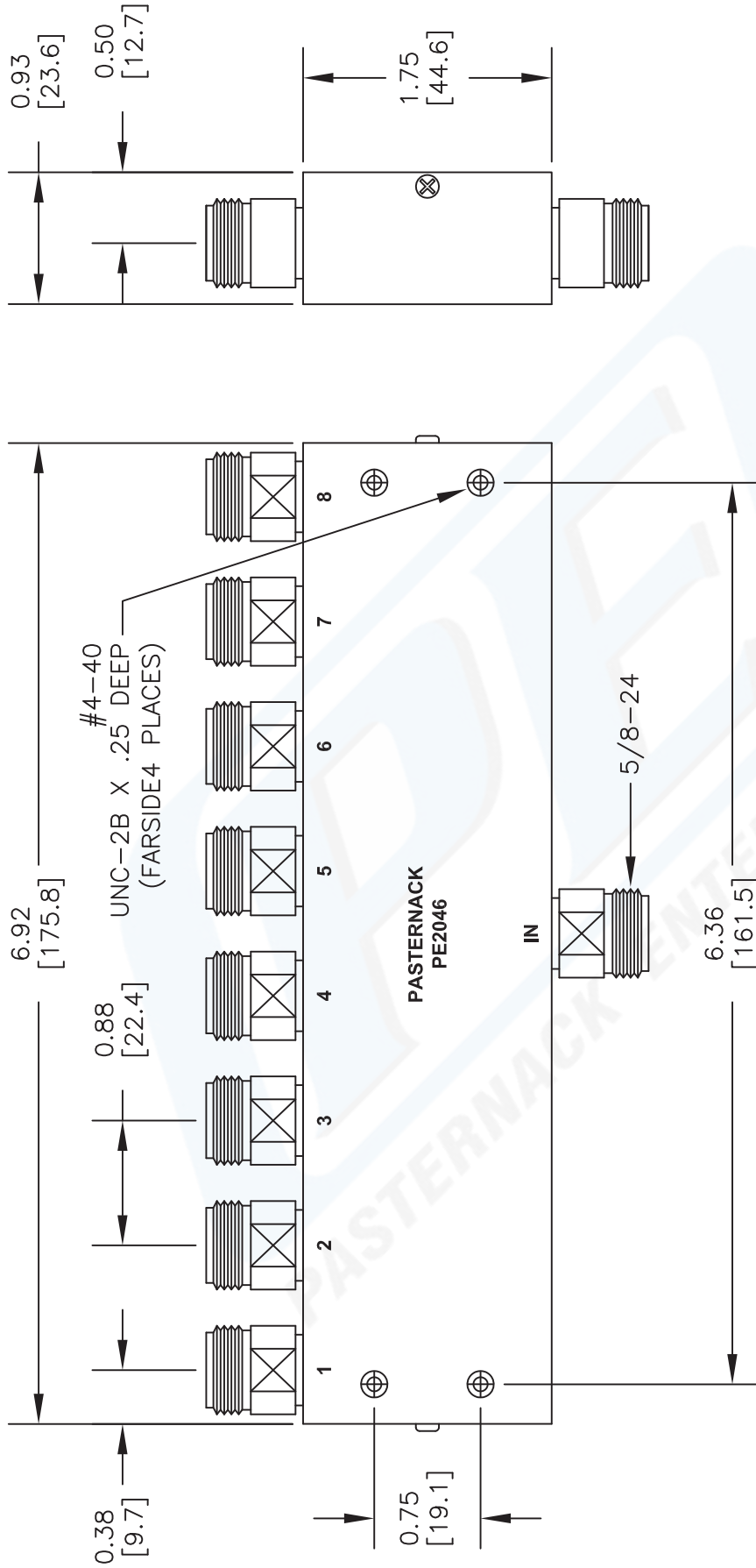
URL: <http://www.pasternack.com/8-way-n-reactive-power-divider-2-mhz-500-mhz-10-watts-pe2046-p.aspx>

The information contained in this document is accurate to the best of our knowledge and representative of the part described herein. It may be necessary to make modifications to the part and/or the documentation of the part, in order to implement improvements. Pasternack reserves the right to make such changes as required. Unless otherwise stated, all specifications are nominal.



PE2046 CAD Drawing

50 Ohm 8 Way N Power Divider From 2 MHz to 500 MHz Rated at 1 Watts



NOTES:
 1. UNLESS OTHERWISE SPECIFIED ALL DIMENSIONS ARE NOMINAL.
 2. ALL SPECIFICATIONS ARE SUBJECT TO CHANGE WITHOUT NOTICE AT ANY TIME.
 3. DIMENSIONS ARE IN INCHES [mm].

DWG TITLE
PE2046

FSCM NO. 53919

2233

SIZE A

SCALE N/A

CAD FILE 091412-A

PE PASTERNAK
 Pasternack Enterprises, Inc.
 P.O. Box 16759 | Irvine | CA | 92623

Phone: (949) 261-1920 | Fax: (949) 261-7451

Website: www.pasternack.com | E-Mail: sales@pasternack.com