

Passband 1: DC to 512 MHz

Passband 2: 960 to 2000 MHz

# Diplexer (LP/HP) WDJ5+4-DC-512/960-2000-40

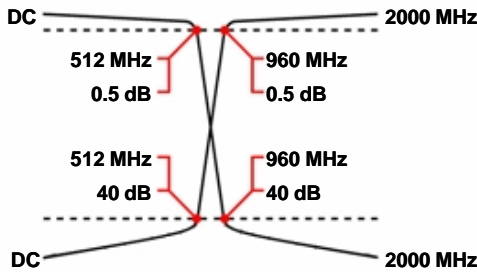
Passband 1 Isolation: 40 dB

Passband 2 Isolation: 40 dB

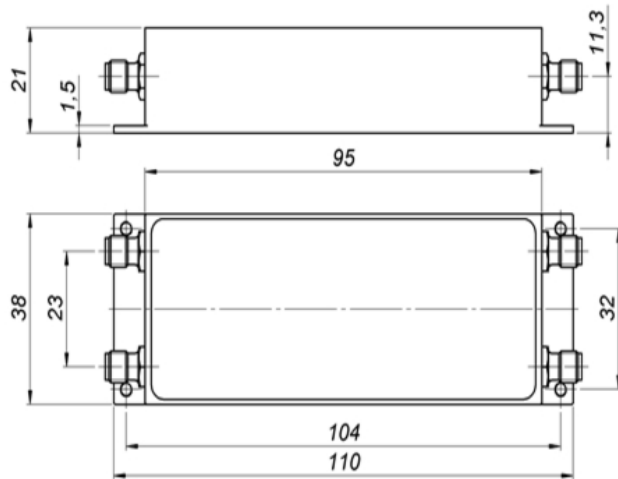
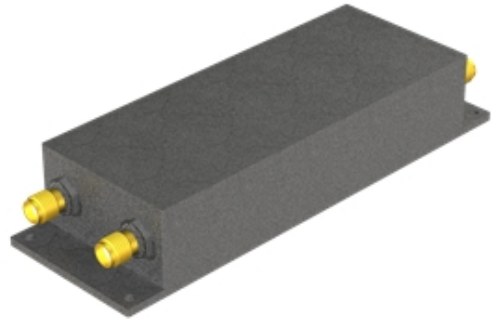
## Specifications

	Band 1 (Lowpass)	Band 2 (Highpass)
Passbands:	DC to 512 MHz	960 to 2000 MHz
Passband Insertion Loss:	0.5 dB max.	0.5 dB max.
Passband Return Loss:	14 dB min.	14 dB min.
Stopbands:	960-2000 MHz	DC-512 MHz
Stopband Attenuation:	40 dB min.	40 dB min.
Operating Temperature:	15 °C to 45 °C	
Power Handling:	max. 100 W CW into a 2:1 VSWR ( <i>Please see our <a href="#">warranty</a> in this regard</i> )	
Dimensions (L x W x H):	95 x 38 x 21 mm (plus connectors and flanges)	
Approx. Weight:	0.25 kg	
Mounting Provision:	7.5 mm flanges on both ends with M3 holes	
Connector Common:	- Please choose -	
Connector Band 1:	- Please choose -	
Connector Band 2:	- Please choose -	

## Typical Performance



## 5+4 Section LC Design



©2015 Wainwright Instruments. All rights reserved.

## Euro Prices

(USD Prices will be quoted for US-based customers only)

1 - 4 pcs:	€ 986
5 - 9 pcs:	€ 887
10 - 24 pcs:	€ 799

## Delivery Terms

FCA Andechs (free carrier) according to **Incoterms 2010**  
 In Deutschland liefern wir frachtfrei gemäß CPT **Incoterms 2010** (unversichert).  
 Regarding payment terms and warranty see [Terms and Conditions](#).  
**Delivery time:** normally 3 to 4 weeks - depending on quantity ordered and on our work load.

Customer is responsible for observing all applicable export laws in regard to filter application and location of end user



**Wainwright Instruments GmbH**  
 www.wainwright-filters.com

Tel: +49 8152 918230  
 Fax: +49 8152 918255  
 info@wainwright-filters.com