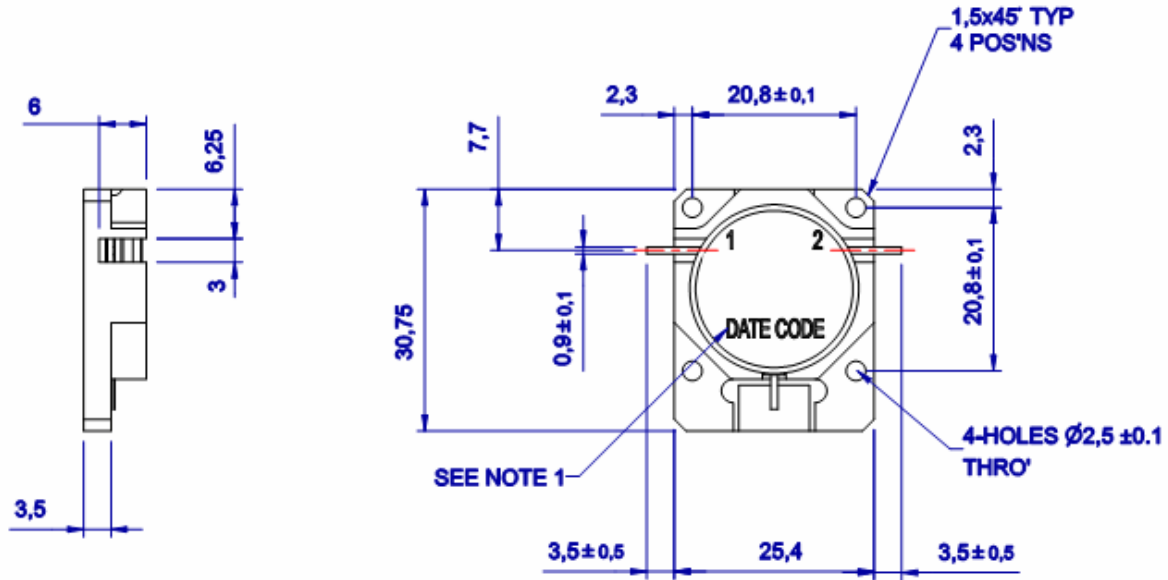
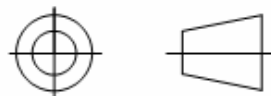


| | | | | | | | |
|--|----------------------|---|---|---|---|-----------------------|---|
| 1 SERVICE DRAWING NUMBER | 2 | 3 | 4 | 5 | 6 | 7 | 8 |
| SECURITY CLASSIFICATION | 3rd ANGLE PROJECTION | | | THIS DRAWING IS MESL MICROWAVE PROPERTY IT MAY NOT BE COPIED OR EXHIBITED WITHOUT WRITTEN PERMISSION | | MESL MICROWAVE | |
| DRAWING TO BE READ IN CONJUNCTION WITH BS 8888 | | | | ELECTRICAL SPECIFICATIONS : | | | |



FREQUENCY RANGE : From 1805 to 1990 MHz.
INSERTION LOSS : 0,3 dB Max.
RETURN LOSS : 23 dB Min.
 (Input / Output)
INSULATION @ +25°C : 25 dB Min.
ISOLATION in Temperature : 23 dB Min.
INPUT POWER (Operating) : 70 W Max.
 3° ord. P.I.M. with: 1x47,8 dBm to Port 1 : -36 dBm Max.
 and 1x27,8 dBm to Port 2
Max reflected Power (with additional : heatsink) : 60 W Max.

ENVIRONMENTAL SPECIFICATIONS :

OPERATING TEMPERATURE RANGE : From -10°C to +70°C.
 (at 95% R.H.)
NO FAILURE TEMPERATURE RANGE : From > +70°C to +85°C.

DEGRADED ELECTRICAL SPEC : (From +70°C to +85°C)

FREQUENCY RANGE : From 1805 to 1990 MHz.
ISOLATION : 22 dB Min.
INSERTION LOSS : 0,35 dB Max.

NOTES!
 THIS UNIT IS ROHS COMPLIANT BY DESIGN.

| |
|------------|
| Q.A. |
| DATE |
| PROD.REL. |
| DATE |
| ENG.APP. |
| J.G. |
| DATE |
| MECH. ENG. |
| DATE |
| DRAWN |
| AB. |
| DATE |

LIGHTLY REMOVE ALL BURRS AND SHARP EDGES U.O.S.

| | | | |
|--------------------|--------|----------------------------|---------------|
| ORIGINAL SCALE | N.T.S. | MATERIAL | SPECIFICATION |
| DO NOT SCALE PRINT | | | |
| DIMENSION IN | mm | FINISH | SPECIFICATION |
| CERTIFIED AT ISSUE | | BODY: BRIGHT NICKEL PLATED | |

| REF | DESCRIPTION | No OFF | CHAR. | POS.TOL | ISSUE | DATE | MOD NUMBER |
|---|-------------|--------|-------|-----------------------|-------|----------------------------|------------|
| GREEN (FULLY RELEASED) | | | | | | | |
| | | | | | | | A 3 |
| GENERAL TOLERANCE UNLESS OTHERWISE STATED | | | | CONTRACTOR | | SECURITY CLASSIFICATION | |
| ± 0,25 | | | | MESL MICROWAVE | | | |
| FINISH TO BE 1.6 | | | | RESPONSIBLE AUTHORITY | | CONTRACTORS DRAWING NUMBER | |
| UNLESS OTHERWISE STATED | | | | J. GILLIES | | 9973-000-OL | |
| TITLE | | | | | | SERVICE DRAWING NUMBER | |
| PACKAGE DROP IN ISOLATOR | | | | | | SHEET No 1 OFF 1 | |

| | |
|---|----------------|
| 2 | 9973-ECN-10918 |
| 1 | DRN 9973 |