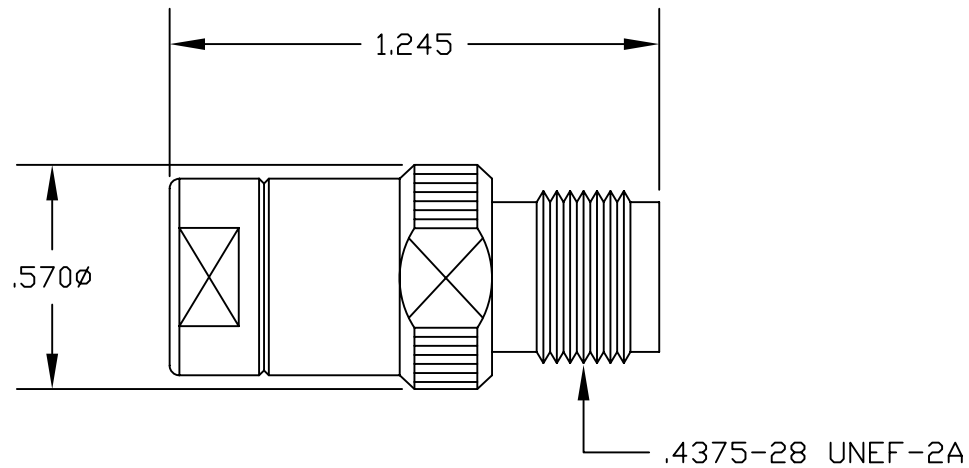


MATERIALS

| | |
|-----------|---------------------|
| BODY | BRASS NICKEL PLATED |
| CONTACT | GOLD PLATED |
| INSULATOR | PTFE |
| | |



PASTERNACK ENTERPRISES, INC.
 P.O BOX 16759, IRVINE, CA 92623
 PHONE (949) 261-1920 FAX (949) 261-7451
 WEB ADDRESS: www.pasternack.com
 E-MAIL ADDRESS: sales@pasternack.com
COAXIAL & FIBER OPTICS

| | | | | | |
|------------------|----------------|--------------------------------------|-----------|--|-----|
| DWG TITLE | | DES. TNC FEMALE RESISTOR TERMINATION | | | |
| PE6029-50 | | | | | |
| SIZE A | FSCM NO. 53919 | CAD FILE 071202 | SCALE N/A | | 127 |

- NOTES:
1. UNLESS OTHERWISE SPECIFIED ALL DIMENSIONS ARE NOMINAL.
 2. ALL SPECIFICATIONS ARE SUBJECT TO CHANGE WITHOUT NOTICE AT ANY TIME.