

5

4

3

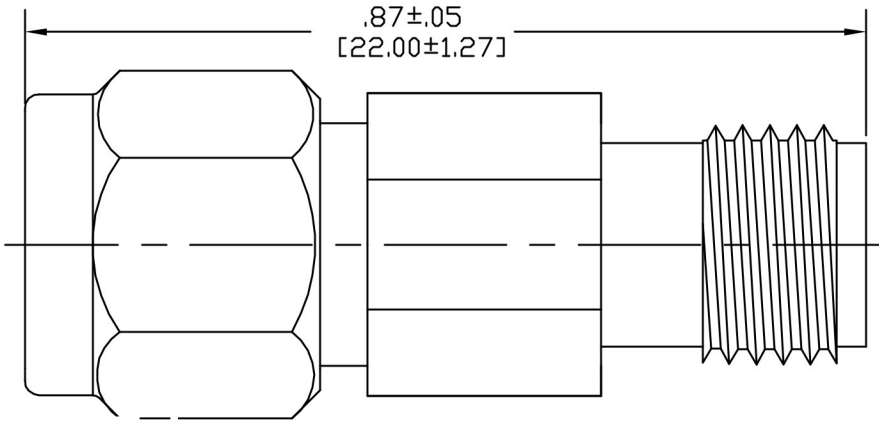
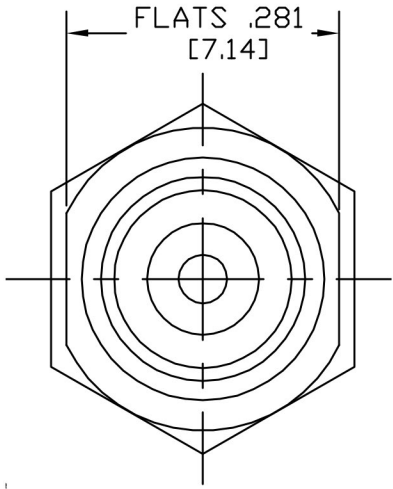
2

1

**PRODUCTION
RELEASE**

NOTE:
THIS DRAWING INCORPORATES
THIRD ANGLE PROJECTION.
INTERPRET IAW ANSI Y14.5-1998

REVISIONS		DATE	APPROVED
LTR	DESCRIPTION		
B1	26.5 - 40GHz	1/19/11	TAK



ELECTRICAL

1/2 WATT

AVAILABLE dB VALUES
1-9, 10, 20 & 30 dB

ATTENUATION ACCURACY (dB)

1 through 9 ± 0.50 dB
10, 20 ± 0.50 dB
30 ± 0.75 dB

VSWR

DC - 26.5 GHz.....1.30:1
26.5 - 40 GHz.....1.40:1

IMPEDANCE 50 OHMS

OPERATING TEMPERATURE RANGE °C -55 to +125

FREQUENCY RANGE DC - 40GHz

POWER (AVG) @25°C
Derates linearly to 10% at +125°C

- MATERIAL:**
HOUSING: STAINLESS STEEL IAW ASTM-A484 & ASTM-A582, ALLOY 303, COND A
CONTACT: BERYLLIUM COPPER
DIELECTRIC - HIGH TEMPERATURE PLASTIC BEAD
- FINISH:**
HOUSING - PASSIVATED STAINLESS STEEL
CONDUCTOR - GOLD PLATED IAW MIL-PRF-39012

2 WATT

AVAILABLE dB VALUES
1-6, 8, 10, 15, 20 & 30 dB

ATTENUATION ACCURACY(dB)

DC - 26.5 GHz	26.5 - 40 GHz
1 through 6, 8 ± 0.50 dB ± 0.8 dB
10, 20 ± 0.50 dB ± 1.0 dB
30 ± 0.75 dB ± 1.0 dB

VSWR

DC - 26.5 GHz1.30:1
26.5 - 40 GHz1.40:1

DRAWING PRACTICES PER ANSI-Y-145
MIL-STD-100 & 3000

DIMENSIONS ARE IN INCHES AND
APPLY BEFORE/AFTER PROCESSING

SURFACE
ROUGHNESS
INCHES 63 ✓

FINISH:
SEE NOTES

MATERIAL:
SEE NOTES

UNLESS OTHERWISE SPECIFIED
TOLERANCES IN:

DECIMALS	INCH	DWG
.X" .03"	[.76]	
.XX" .010"	[.25]	
.XXX" .005"	[.127]	
.XXXX" .0005"	[.013]	
ANGLES ±0°30'		

REMOVE ALL BURRS/SHARP W/
BREAK / R OF .003" TO .0005"
UNLESS OTHERWISE NOTED
DIAS CONCENTRIC <.003 T.I.R.

DRAWN T. KUHN	DATE 6/12/07
CHECKED	DATE
ENGINEER APPR. T. KUHN	DATE 5/13/09

THESE DRAWINGS AND SPECIFICATIONS ARE
THE PROPERTY OF HASCO COMPONENTS AND
SHALL NOT BE REPRODUCED, COPIED NOR
USED - IN WHOLE OR IN PART - AS A BASIS FOR
THE MANUFACTURE OR SALE OF OTHER ITEMS
WITHOUT THE EXPRESS WRITTEN PERMISSION
OF HASCO COMPONENTS

HASCO, INC
COMPONENTS DISTRIBUTOR

5214 Bonsai Street
Moorpark, CA
(888) 498-3242
www.hasco-inc.com

TITLE
2.92 mm, M/F, ATTENUATOR,
DC-40GHz

SIZE B	CAGE CODE 0T8L4	DRAWING NUMBER HA40A-XX • HA40A2-XX
SCALE 8:1	PL. DIF. P. P. 52. IN XXX	SHEET 1 OF 1

5

4

3

2

1