



Waveguide Horn Antenna Antenna Operates From 56 GHz
 to 66 GHz With a Maximum 34 dBi Gain WR-15 Input

TECHNICAL DATA SHEET

PE9881-34

Configuration

Design	Waveguide Horn Antenna
Frequency Range, GHz	56 to 66
Interface 1	WR-15
Interface 1 Specification	UG-385/U

Electrical Specifications

Nominal Gain, dBi	34
-------------------	----

Mechanical Specifications

Size

Length, in [mm]	5.54 [140.72]
Width, in [mm]	4.09 [103.89]
Height, in [mm]	4.09 [103.89]
Weight, lbs [g]	1 [453.59]

Compliance Certifications (visit www.Pasternack.com for current document)

RoHS Compliant	Yes
----------------	-----

Plotted and Other Data

2 Dimensional OML Drawing	PE9881-34
Notes:	Values at 25 °C, sea level Beam Pattern 3 Degrees

Waveguide Horn Antenna Antenna Operates From 56 GHz to 66 GHz With a Maximum 34 dBi Gain WR-15 Input from Pasternack Enterprises has same day shipment for domestic and International orders. Our RF, microwave and fiber optic products maintain a 99% availability and are part of the broadest selection in the industry.

Click the following link (or enter part number in "SEARCH" on website) to obtain additional part information including price, inventory and certifications: [Waveguide Horn Antenna Antenna Operates From 56 GHz to 66 GHz With a Maximum 34 dBi Gain WR-15 Input PE9881-34](http://www.Pasternack.com/horn-antenna-50-75-ghz-nominal-34-dbi-gain-wr-15-pe9881-34-p.aspx)

URL: <http://www.pasternack.com/horn-antenna-50-75-ghz-nominal-34-dbi-gain-wr-15-pe9881-34-p.aspx>

The information contained in this document is accurate to the best of our knowledge and representative of the part described herein. It may be necessary to make modifications to the part and/or the documentation of the part, in order to implement improvements. Pasternack reserves the right to make such changes as required. Unless otherwise stated, all specifications are nominal.

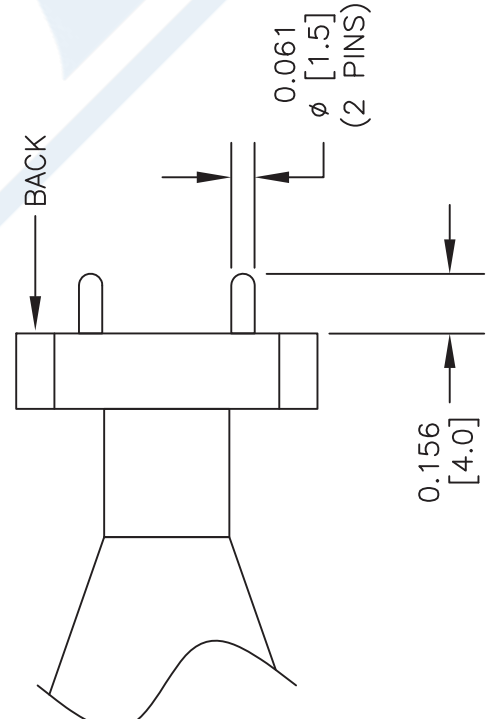
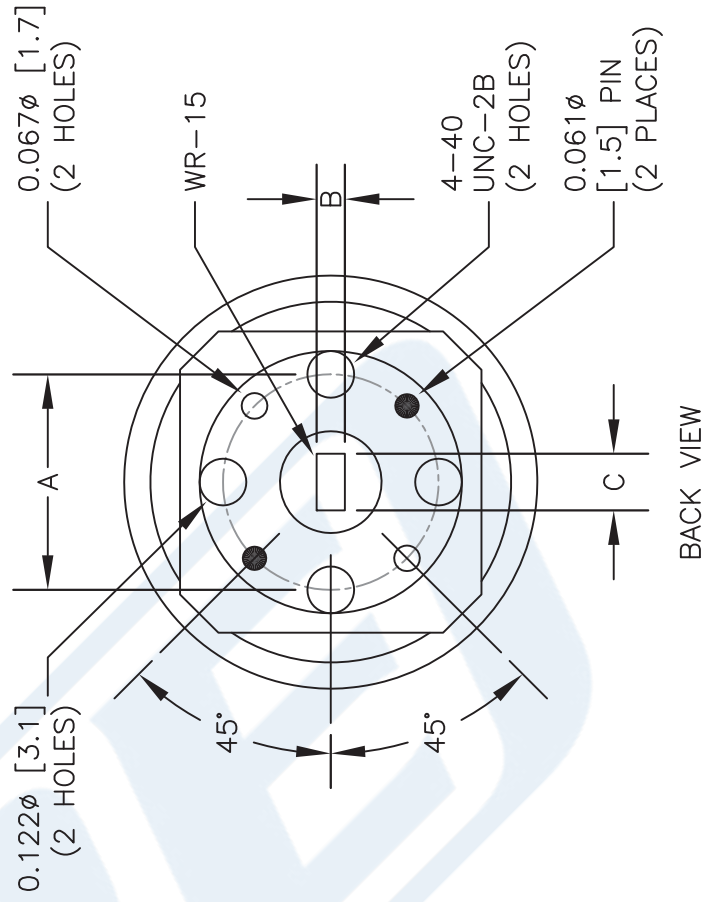
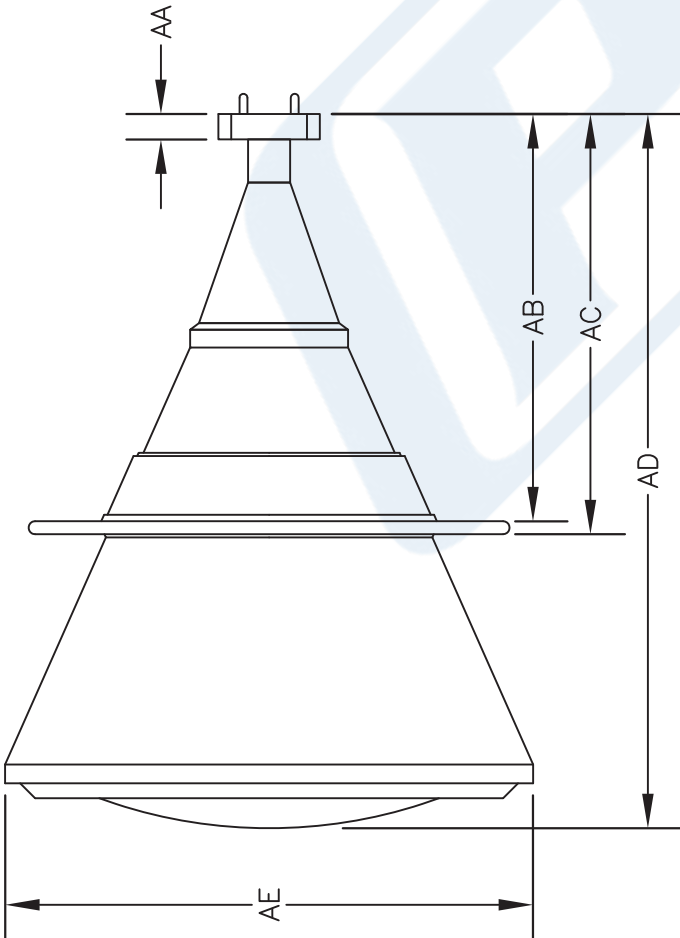


PE9881-34 CAD Drawing

Waveguide Horn Antenna Antenna Operates From 56 GHz to 66 GHz With a Maximum 34 dBi Gain WR-15 Input

WR-15		
Dimension	Inches	mm
A	0.563	14.30
B	0.074	1.88
C	0.148	3.76

AA	0.197	5.00
AB	3.159	80.24
AC	3.259	82.78
AD	5.539	140.69
AE	4.094	103.99



NOTES:
 1. UNLESS OTHERWISE SPECIFIED ALL DIMENSIONS ARE NOMINAL.
 2. ALL SPECIFICATIONS ARE SUBJECT TO CHANGE WITHOUT NOTICE AT ANY TIME.
 3. DIMENSIONS ARE IN INCHES [mm].

DWG TITLE
PE9881-34

FSCM NO. 53919

CAD FILE 091913

SCALE N/A

SIZE A

2233

PE PASTERNAK®
 Pasternack Enterprises, Inc.
 P.O. Box 16759 | Irvine | CA | 92623
 Phone: (949) 261-1920 | Fax: (949) 261-7451
 Website: www.pasternack.com | E-Mail: sales@pasternack.com