

# KR Electronics, Inc.

## General Description

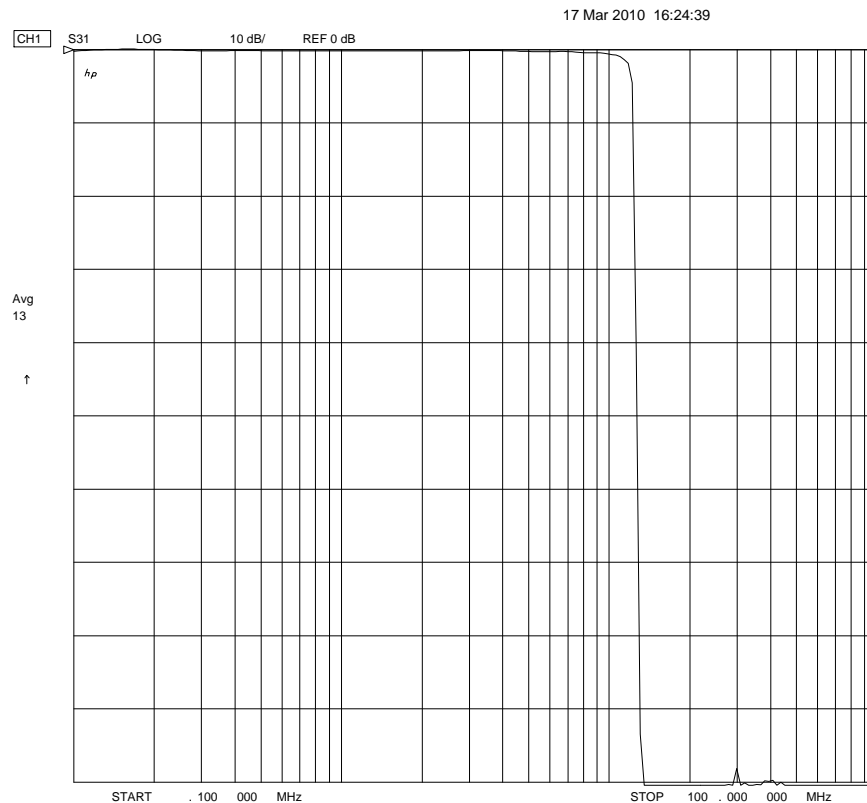
KR Electronics part number 2969 is a 10 MHz elliptic lowpass filter. Other frequencies are available. Please consult the factory.

### Features

- 10 MHz minimum 1.5 dB BW
- Sharp Transition to the Stopband
- High Stopband Attenuation
- 50  $\Omega$  Source and Load
- Surface Mount
- SMA Package also available

## Typical Performance

### Overall Response (10 dB/div)

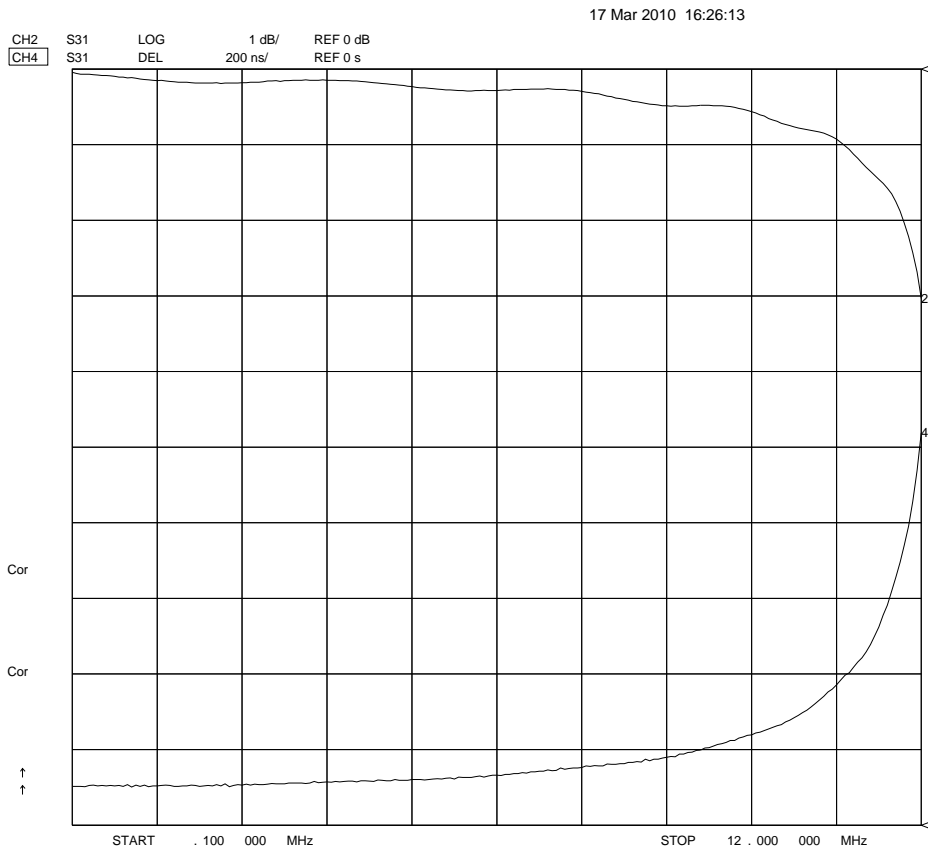


KR Electronics, Inc.  
91 Avenel Street  
Avenel, NJ 07001

Web [www.krfilters.com](http://www.krfilters.com)  
Email [sales@krfilters.com](mailto:sales@krfilters.com)  
Phone (732) 636-1900  
Fax (732) 636-1982

## Typical Performance

### Passband Amplitude & Group Delay (1 dB/div & 200 nsec/div)

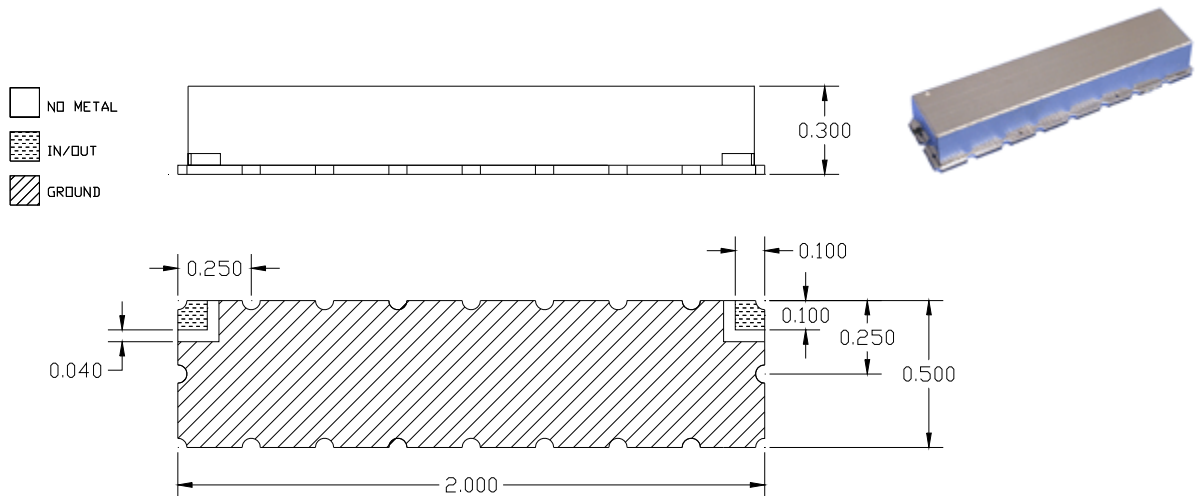


# KR Electronics 2969-SMA

## Specifications

Parameter	Specification	
Filter type	Lowpass	
End of Passband < 1.5 dB	10 MHz	Typical 0.65 dB at 10 MHz
Rejection 13.125 MHz	84 dB min	
Typical 1 dB Bandwidth	10.9 MHz	
Typical 3 dB Bandwidth	11.9 MHz	
Typical 40 dB Bandwidth	12.6 MHz	
Typical 60 dB Bandwidth	12.8 MHz	
Source and Load	50 Ω	

## Physical Dimensions



### Notes:

1. Surface mount package — Metal cover open frame
2. Dimensions in inches
3. Maximum reflow temperature is 209° C for 10 sec maximum.
4. If boards are cleaned after installation, units must be completely dried.