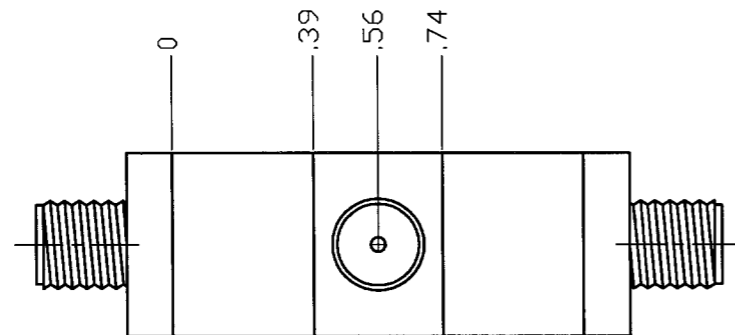
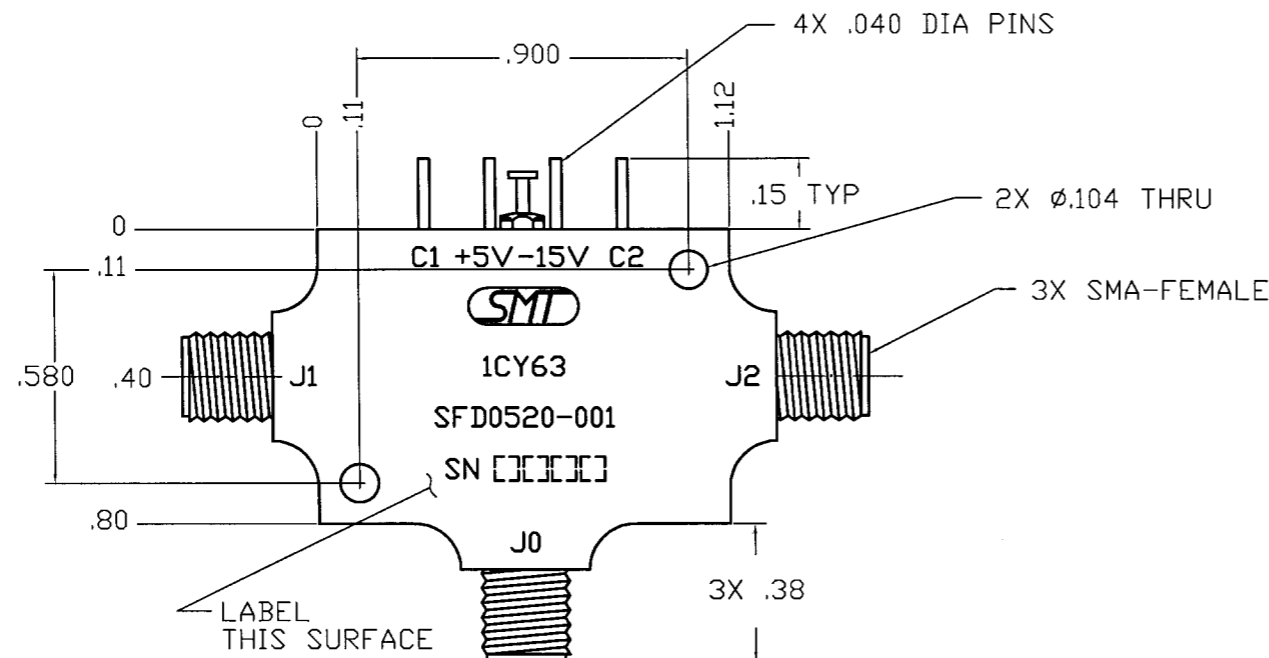
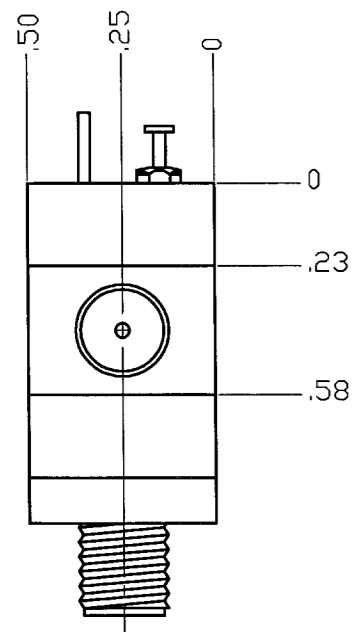
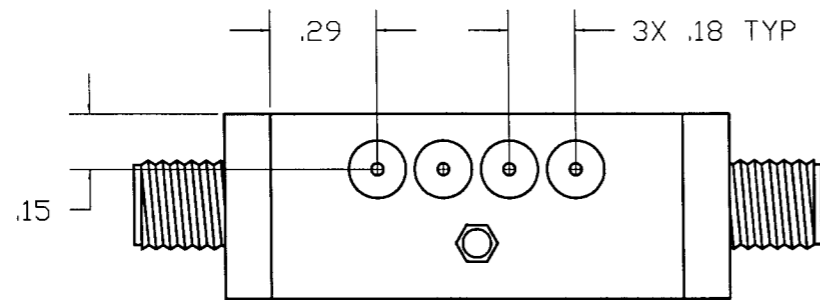


COMPUTER GENERATED DRAWING  
MANUAL CHANGES NOT AUTHORIZED

REVISIONS

REV.	DESCRIPTION	DATE	RELEASED BY
NC	INITIAL RELEASE	1-7-93	LD
A	REV PER ECN: 6822, 9830	6-14-05	R.T.S.



SPECIFICATIONS:

FREQUENCY RANGE:	0.5-20.0 GHz	
VSWR:	0.5-4.0 GHz	1.5:1 MAX
	4.0-8.0 GHz	1.6:1 MAX
	8.0-18.0 GHz	1.8:1 MAX
	18.0-20.0 GHz	2.0:1 MAX
INSERTION LOSS:	0.5-4.0 GHz	1.3 dB MAX
	4.0-8.0 GHz	1.6 dB MAX
	8.0-12.0 GHz	1.8 dB MAX
	12.0-18.0 GHz	2.3 dB MAX
	18.0-20.0 GHz	2.8 dB MAX
ISOLATION:	0.5-8.0 GHz	65 dB MIN
	8.0-20.0 GHz	60 dB MIN
OPERATING TEMP:	-55° TO +100° C	
STORAGE TEMP:	-65° TO +125° C	
SWITCHING SPEED: (50% TTL to 10/90% RF)	25 n SEC MAX	
DC POWER:	+5V @ 75 mA MAX	
	-15V @ 50 mA MAX	
CONTROL:	TTL LOW - INSERTION LOSS TTL HIGH - ISOLATION	

ITEM	QTY REQ'D	FSCM NO.	PART OR IDENTIFICATION NO.	NOMENCLATURE OR DESCRIPTION	MATERIAL SPECIFICATION								
<b>PARTS LIST</b>													
UNLESS OTHERWISE SPECIFIED DIMENSIONS ARE IN INCHES TOLERANCES ARE: FRACTIONS DECIMALS ANGLES ± .xx± .02 ± ± .xxx± .010				CONTRACT NO.									
				APPROVALS		DATE							
MATERIAL:				DRAWN: A WILSON 12-23-91									
				CHECKED:		DESIGN ENG. L DORION 1-07-93							
FINISH:				MAT. & PROCESSES									
				Q.A.									
604-0016-001 SFD0520-001				 TITLE: OUTLINE FOR SFD0520-001									
LIST OF MAT'L USED ON													
<b>APPLICATION</b>				<table border="1" style="width: 100%;"> <tr> <td>SIZE</td> <td>FSCM NO.</td> <td>DWG NO.</td> <td>REV</td> </tr> <tr> <td>B</td> <td>1CY63</td> <td>605-0090-001</td> <td>A</td> </tr> </table>		SIZE	FSCM NO.	DWG NO.	REV	B	1CY63	605-0090-001	A
SIZE	FSCM NO.	DWG NO.	REV										
B	1CY63	605-0090-001	A										
DO NOT SCALE DRAWING				BRDR SCALE SHEET OF									

604-0016-001	SFD0520-001
LIST OF MAT'L	USED ON
<b>APPLICATION</b>	