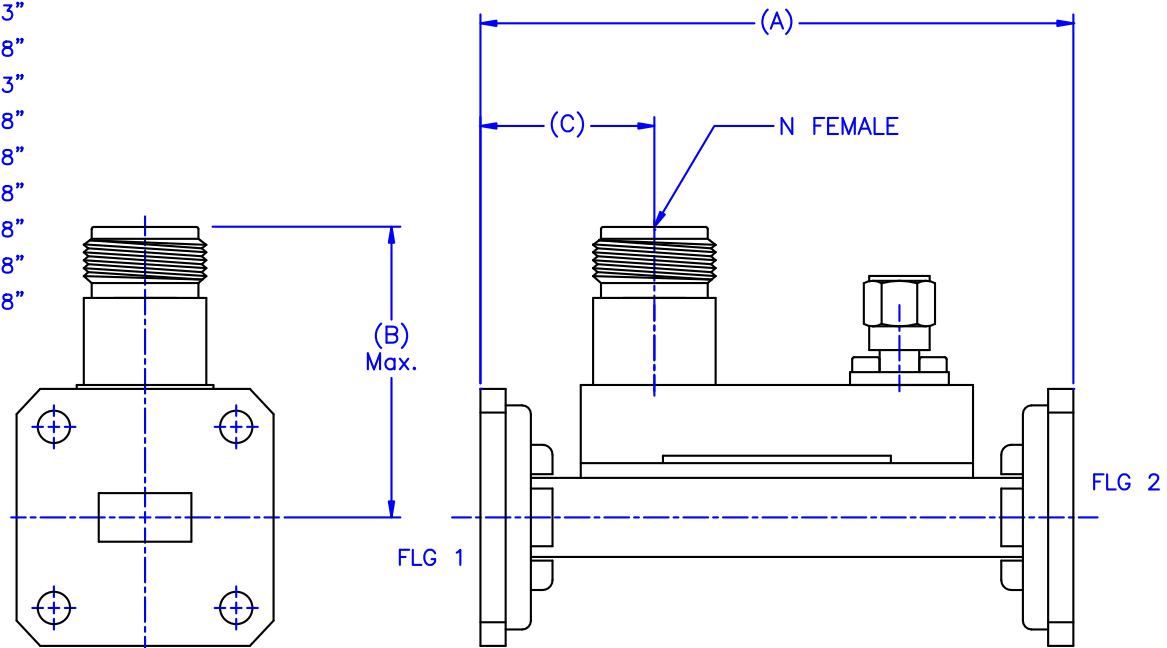


Standard Part Numbers	Frequency Range (GHz)	WG Size	DIM -A-	DIM -B-	DIM -C-
WLC-2N-A-2-2-dB	1.7-2.6	WR430	4.50"	2.50"	1.63"
WLC-3N-A-6-6-dB	2.6-3.95	WR284	4.50"	2.20"	1.63"
WLC-4N-A-2-2-dB	3.3-4.9	WR229	4.00"	2.09"	1.38"
WLC-5N-A-6-6-dB	3.95-5.85	WR187	3.50"	1.95"	1.13"
WLC-6N-A-2-2-dB	4.9-7.05	WR159	3.50"	1.91"	0.88"
WLC-7N-A-2-2-dB	5.85-8.2	WR137	3.00"	1.83"	0.88"
WLC-8N-A-6-6-dB	7.05-10	WR112	3.00"	1.76"	0.88"
WLC-9N-A-6-6-dB	8.2-12.4	WR90	3.00"	1.70"	0.88"
WLC-10N-A-6-6-dB	10-15	WR75	3.00"	1.66"	0.88"
WLC-11N-A-6-6-dB	12.4-18	WR62	3.00"	1.62"	0.88"

REVISIONS				
ZONE	REV	DESCRIPTION	Date	APPROVED



WLC-2N-A-2-2-dB <<--ORDERING INFORMATION/PART NUMBERS

- Coupling Value (dB): 30dB, 40dB, 50dB, 60dB
- Flange2: 1=CPRG, 2=CPRF, 6=COVER, 7=CHOKE
- Flange1: 1=CPRG, 2=CPRF, 6=COVER, 7=CHOKE
- Material: A=Aluminum, B=Brass/Copper
- WG Size (N=NF): Available from WR62 to WR430
- WLC Series: Waveguide Loop Coupler

MATERIAL:		MCLI MICROWAVE COMMUNICATIONS LABORATORIES INC. 7255 30TH AVE. N. SAINT PETERSBURG, FL 33710 TEL: (727) 344-6254 FAX: (727) 381-6116 http://WWW.MCLI.COM	SCALE:	N/A
			SHEET:	N/A
UNLESS OTHERWISE SPECIFIED: TOLERANCES IN (INCHES) OR [mm] (MILLIMETERS) FRACTIONS: ± 1/64 DECIMALS: ±.02 ±.015 ANGLE: ±1/2°		DRAWING TITLE: WAVEGUIDE LOOP COUPLER, NF		
DRAWN: Paiboon Luekhamhan		PART NO. WLC-2N to WLC-11N		
DATE: 08-22-2011		CAGE CODE: OD2L5		
APPROVED: T. Nguyen		DATE: 08-22-2011		
THIRD ANGLE PROJECTION		SIZE: N/A REV: N/A DWG NO. 85852		
DO NOT SCALE THE DRAWING				