



## Low Power 2 Watts RF Load Up To 50 GHz With 2.4mm Male Input

### TECHNICAL DATA SHEET

PE6242

#### Configuration

|                         |              |
|-------------------------|--------------|
| Connector               | 2.4mm Male   |
| Connector Specification | MIL-STD-348A |
| Connection Method       | Standard     |
| Body Style              | Straight     |

#### Electrical Specifications (Values at 25°C, sea level)

| Description     | Minimum | Typical | Maximum | Units |
|-----------------|---------|---------|---------|-------|
| Frequency Range | DC      |         | 50      | GHz   |
| Impedance       |         |         | 50      | Ohms  |
| VSWR            |         |         | 1.45:1  |       |
| Input Power     |         |         | 2       | Watts |

#### Specifications by Frequency

| Description | F1       | F2       | F3       | F4 | F5 | Units |
|-------------|----------|----------|----------|----|----|-------|
| Range       | DC to 18 | 18 to 35 | 35 to 50 |    |    | GHz   |
| VSWR        | 1.15:1   | 1.3:1    | 1.45:1   |    |    |       |

#### Mechanical Specifications

##### Temperature

Operating Range -55 to +100 deg C

##### Size

Length 0.59 in [14.99 mm]  
 Width/Dia. 0.312 in [7.92 mm]

##### Connector

Type 2.4mm Male  
 Inner Conductor Material and Plating Beryllium Copper, Gold  
 Inner Conductor Plating Specification MIL-G-45204  
 Coupling Nut Material and Plating Passivated Stainless Steel  
 Hex Size 5/16 Inch  
 Torque 8 in-lbs [0.9 Nm]  
 Body Material and Plating Passivated Stainless Steel

#### Compliance Certifications (visit [www.Pasternack.com](http://www.Pasternack.com) for current document)

RoHS Compliant

Click the following link (or enter part number in "SEARCH" on website) to obtain additional part information including price, inventory and certifications: [Low Power 2 Watts RF Load Up To 50 GHz With 2.4mm Male Input PE6242](#)





Low Power 2 Watts RF Load Up To 50  
GHz With 2.4mm Male Input

TECHNICAL DATA SHEET

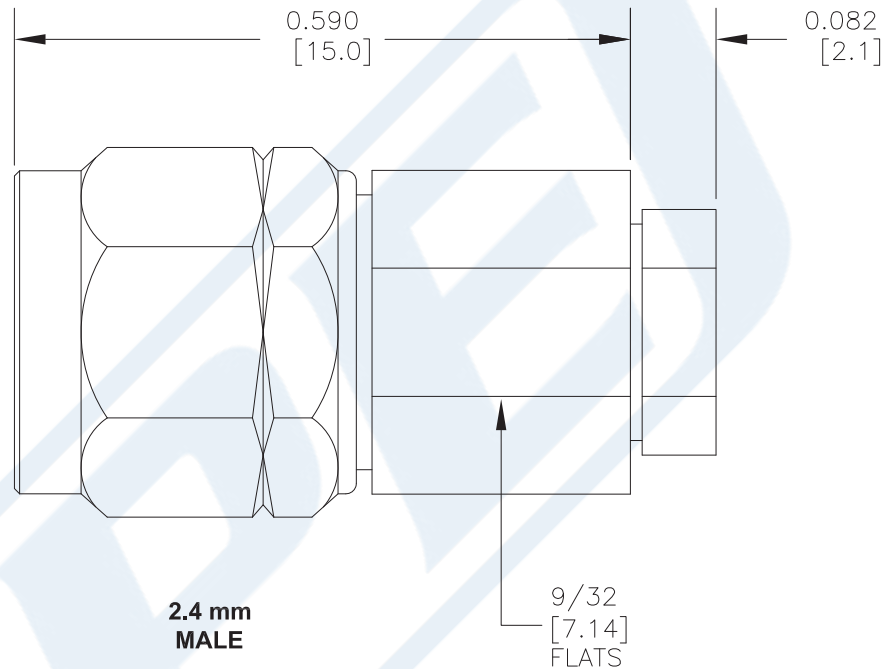
PE6242

**Plotted and Other Data**

Notes:

- Values at +25 °C, sea level

**Outline Drawing**



Low Power 2 Watts RF Load Up To 50 GHz With 2.4mm Male Input from Pasternack Enterprises has same day shipment for domestic and International orders. Our RF, microwave and millimeter wave products maintain a 99% availability and are part of the broadest selection in the industry.

Click the following link (or enter part number in "SEARCH" on website) to obtain additional part information including price, inventory and certifications: [Low Power 2 Watts RF Load Up To 50 GHz With 2.4mm Male Input PE6242](http://www.pasternack.com/2-watts-2.4mm-male-rf-load-up-to-50-ghz-pe6242-p.aspx)

URL: <http://www.pasternack.com/2-watts-2.4mm-male-rf-load-up-to-50-ghz-pe6242-p.aspx>

The information contained in this document is accurate to the best of our knowledge and representative of the part described herein. It may be necessary to make modifications to the part and/or the documentation of the part, in order to implement improvements. Pasternack reserves the right to make such changes as required. Unless otherwise stated, all specifications are nominal. Pasternack does not make any representation or warranty regarding the suitability of the part described herein for any particular purpose, and Pasternack does not assume any liability arising out of the use of any part or documentation.