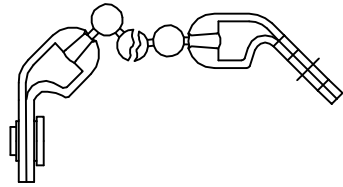


2 INCH [50 mm] BEAD CHAIN
AVAILABLE ON MANY MODELS



PRODUCTION
RELEASE

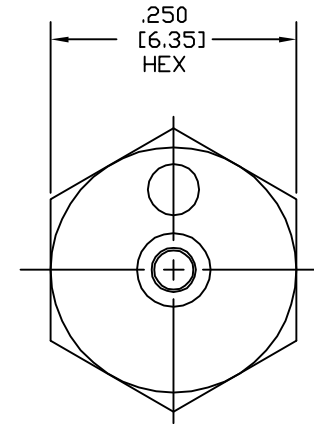
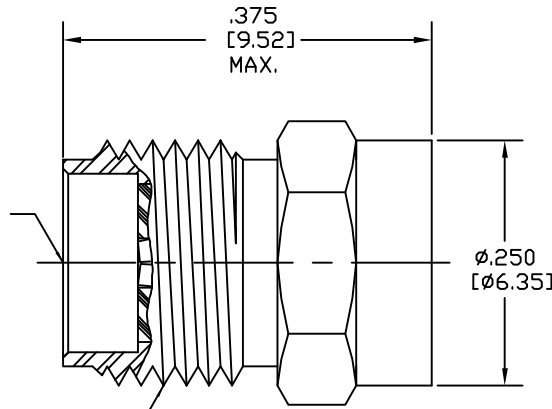
NOTE:
THIS DRAWING INCORPORATES
THIRD ANGLE PROJECTION
INTERPRET IN ACC. WITH Y145-1992

REVISIONS

REV	DESCRIPTION	APPROVED
E	REDRAWN ON NEW TITLEBLOCK	1/1/2007 D. Saunders

SMA JACK PER
MIL-STD-348

.250-36 UNS-2A



SPECIFICATIONS

FREQ. RANGE SEE TABLE
VSWR(MAX): SEE TABLE
POWER(AVG): 1.0 WATTS
POWER (PEAK) 500 WATT
POWER DERATES LINEARLY AFTER 25°C TO 10% AT 125°C
PEAK SPECIFIED IS 5 USEC PULSE, 0.05% DUTY CYCLE
MEETS MIL-DTL-39030 FOR DURABILITY
AND ENVIRONMENTAL RUGGEDNESS.

PART NUMBER	FREQUENCY (GHz)	VSWR DC-4 GHz	VSWR 4-12.4 GHz	VSWR 12.4-18 GHz	VSWR 18-26.5 GHz
2004-6110-XX	DC-26.5	1.05:1	1.10:1	1.20:1	1.30:1
2004-6117-XX	DC-18.0	1.05:1	1.05:1	1.10:1	-
2004-6111-XX		1.10:1	1.10:1	1.10:1	-
2004-6112-XX		1.05:1	1.15:1	1.20:1	-
2004-6113-XX		1.10:1	1.20:1	1.30:1	-
2004-6116-XX	DC-12.4	1.05:1	1.05:1	-	-

NOTES:

- MATERIAL: INNER CONDUCTOR: BERYLLIUM COPPER PER ASTM B196 & B197.
OUTER CONDUCTOR: STEEL, CORROSION RESISTANT PER ASTM A484 & A582, CLASS 303, COND. A.
DIELECTRIC: TEFLON PER ASTM D1710.
- FINISH: INNER CONDUCTOR: GOLD PLATE PER MIL-PRF-39012.
OUTER CONDUCTOR: -00: GOLD PLATED.
-02: PASSIVATED

FOR GOLD PLATED HOUSING -XX = -00, FOR PASSIVATED SS -XX = -02

SMA CONNECTOR MATERIALS, DESIGN AND CONSTRUCTION COMPLIES WITH MIL-PRF-39012 AND MIL-STD-348 AS WELL AS MIL-DTL-39030

DRAWING PRACTICES PER ANSI Y14.5 MIL-STD-100 & 1000	UNLESS OTHERWISE SPECIFIED TOLERANCES IN DECIMALS INCH IN [MICROMETERS]	DRAWN XX X DATE
DIMENSIONS ARE IN INCHES AND APPLY BEFORE/AFTER PROCESSING	.X" .03" [.76]	CHECKED _____ DATE
SURFACE ROUGHNESS	.XX" .010" [.25]	ENG. _____ DATE
FINISH	.XXX" .005 [.127]	
SEE NOTES	.XXXX" .0005" [.013]	
MATERIALS	ANGLES ±0°30'	
SEE NOTES	REMOVE ALL BURRS/SHARP W/ BREAK / R OF .003" TO .005" UNLESS OTHERWISE NOTED DIAS CONCENTRIC <.003 T.I.R.	

THESE DRAWINGS AND SPECIFICATIONS ARE THE PROPERTY OF XMA CORP. OR OMNI SPECTRA AND SHALL NOT BE REPRODUCED, COPIED NOR USED - IN WHOLE OR IN PART - AS A BASIS FOR THE MANUFACTURE OR SALE OF OTHER ITEMS WITHOUT THE EXPRESS WRITTEN PERMISSION OF XMA CORP.
--

www.XMACorp.com Sales@XMACorp.com
Powered by:
XMA Omni Spectra®
Phone: 603-222-2256 Fax: 603-222-2259
150 Dow Street, Manchester, NH 03101

TITLE
**ULTRASHORT SMA FEMALE
TERMINATION**

SIZE C	CAGE CODE 3HT76	DWG. NO. 2004-611Y-XX
SCALE 2:1	PLATING AREA SQUARE INCHES XXX	SHEET 1 OF 1