

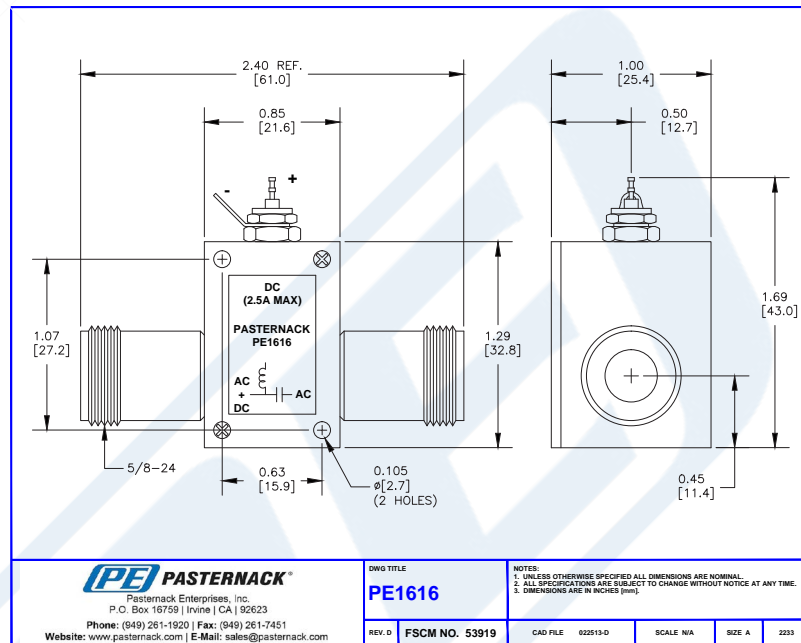


10 MHz to 6 GHz N Bias Tee Rated To 2500 mA And 100 Volts DC

TECHNICAL DATA SHEET

PE1616

Outline Drawing



10 MHz to 6 GHz N Bias Tee Rated To 2500 mA And 100 Volts DC from Pasternack Enterprises has same day shipment for domestic and International orders. Our RF, microwave and millimeter wave products maintain a 99% availability and are part of the broadest selection in the industry.

Click the following link (or enter part number in "SEARCH" on website) to obtain additional part information including price, inventory and certifications: [10 MHz to 6 GHz N Bias Tee Rated To 2500 mA And 100 Volts DC PE1616](http://www.pasternack.com/10-mhz-6-ghz-n-bias-tee-2500-ma-100-volts-dc-pe1616-p.aspx)

URL: <http://www.pasternack.com/10-mhz-6-ghz-n-bias-tee-2500-ma-100-volts-dc-pe1616-p.aspx>

The information contained in this document is accurate to the best of our knowledge and representative of the part described herein. It may be necessary to make modifications to the part and/or the documentation of the part, in order to implement improvements. Pasternack reserves the right to make such changes as required. Unless otherwise stated, all specifications are nominal. Pasternack does not make any representation or warranty regarding the suitability of the part described herein for any particular purpose, and Pasternack does not assume any liability arising out of the use of any part or documentation.

