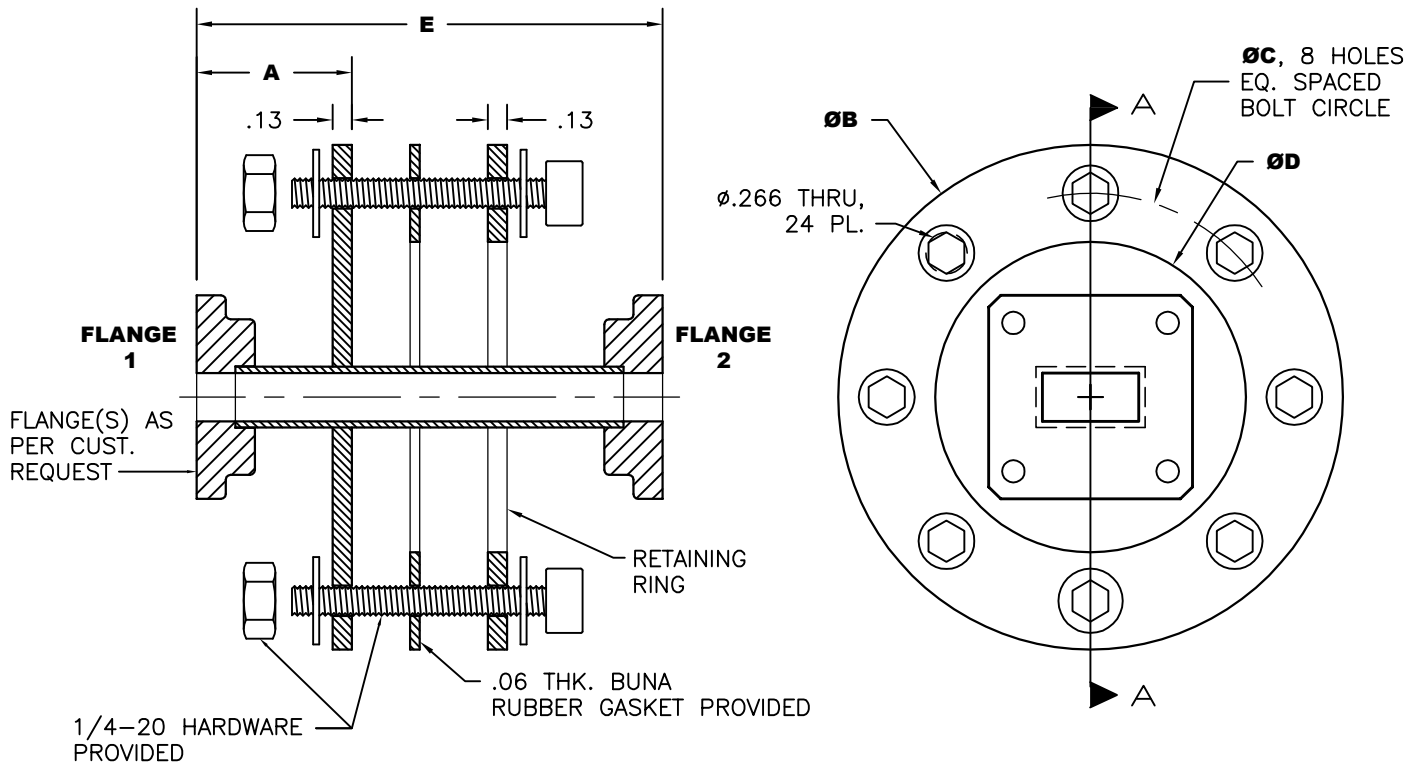

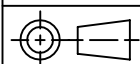


REV. A	DATE 7/18/08	INITIAL RELEASE CREATED FROM DWG# 4905, WITH CHANGES	APPROVED
REV. B	DATE 04/08/14	ADDED WR22 TO TABLE	APPROVED



(A-A) SECTION

WG SIZE	DIM. A	DIM. B	DIM. C	DIM. D	DIM. E
284	1.63	7.25	6.500	5.50	4.25
229	1.63	6.75	6.000	5.00	4.25
187	1.63	5.25	4.625	3.75	4.25
159	1.63	6.00	5.250	4.25	4.25
137	1.63	4.75	4.000	3.13	4.25
112	1.63	4.00	3.250	2.63	4.25
102	1.63	4.00	3.250	2.63	4.25
90	1.38	3.50	2.875	2.25	3.75
75	1.38	3.50	2.875	2.25	3.75
62	1.00	3.25	2.625	2.00	3.00
51	1.00	3.25	2.625	2.00	3.00
42	1.00	3.00	2.500	1.88	3.00
34	1.00	3.00	2.500	1.88	3.00
28	1.00	3.00	2.500	1.88	3.00
22	1.00	3.00	2.500	1.88	3.00

MATERIAL PER ORDER	TREATMENT IRIDITE	DRAWN M.R.	DATE 7/18/08	
FINISH ATM GRAY	MOD NO. XXX-130X-X.XX-X-X	CHECKED	DATE	
BULKHEAD OUTLINE STD WAVEGUIDE		APPROVED	DATE	
		CAGE CODE: OR8N4	DO NOT SCALE DWG	
ADVANCED TECHNICAL MATERIALS, INC. 49 RIDER AVE., PATCHOGUE N.Y. 11772 TEL: (631) 289-0386 FAX: (631) 289-0358 http://www.atmmicrowave.com		UNLESS OTHERWISE NOTED DIMENSIONS ARE IN INCHES TOLERANCES ARE:	FRACTIONS ±1/64 DECIMALS ±.01 ANGLES ±1/2°	SHEET. 1/1
 PROPRIETARY NOTICE: THE INFORMATION IN THIS DRAWING IS PROPRIETARY AND SHALL NOT BE USED OR DISCLOSED WITHOUT THE PRIOR WRITTEN CONSENT OF ATM, INC.		 SCALE N.T.S.	DWG. NO. 7979	REV. B