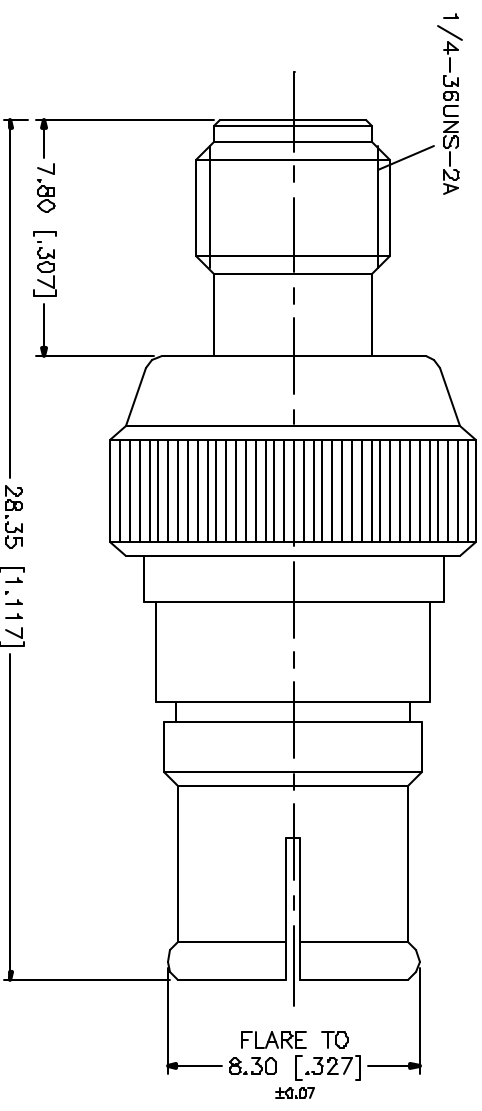


REV.	DATE	DESCRIPTION
NC	09/18/04	INITIAL RELEASE



QTY	FINISH	MATERIAL	DESCRIPTION
1	NICKEL	BER. COPPER	BODY
1	NATURAL	TEFLON	INSULATOR
1	GOLD - 50U	BER. COPPER	CONTACT PIN

UNLESS OTHERWISE SPECIFIED DIMENSIONS ARE IN INCHES AND THE DECIMAL FRACTIONS ONLY.	UNLESS OTHERWISE SPECIFIED DIMENSIONS ARE IN MILLIMETERS ONLY.
0.0 - 0.010 ± 0.001	0.0 - 0.254 ± 0.0025
0.010 - 0.030 ± 0.0005	0.254 - 0.762 ± 0.0013
0.030 - 0.060 ± 0.001	0.762 - 1.524 ± 0.0025
0.060 - 0.120 ± 0.0015	1.524 - 3.048 ± 0.0038
0.120 - 0.240 ± 0.002	3.048 - 6.096 ± 0.0076
0.240 - 0.480 ± 0.004	6.096 - 12.192 ± 0.0152
0.480 - 0.960 ± 0.008	12.192 - 24.384 ± 0.0305
0.960 - 1.920 ± 0.016	24.384 - 48.768 ± 0.061
1.920 - 3.840 ± 0.032	48.768 - 97.536 ± 0.122

APPROVALS	DATE
DRAWN G.R.S.	09/18/04
CHECKED	
ISSUED	
SHEET 1 OF 1	

PART DESCRIPTION	DWG. NO.	REV.	SIZE	SCALE
SMA JACK TO TNC REVERSE POLARITY PLUG ADAPTER	242105RP-12	NC	A	NA

APPROVALS	DATE
CAD FILE C:/242/242105RP-12.DWG	

Amphenol Connex

SMA JACK TO TNC REVERSE POLARITY PLUG ADAPTER

242105RP-12