



Bulkhead BNC Twinax Jack to BNC Twinax Jack Adapter

TECHNICAL DATA SHEET

PE9280

Bulkhead BNC Twinax Jack to BNC Twinax Jack Adapter

Configuration

Connector 1	BNC Twinax Jack
Impedance 1	78 Ohms
Connector 2	BNC Twinax Jack
Impedance 2	78 Ohms
Adapter Design	Standard
Body Style	Straight
Mount Method	Bulkhead

Mechanical Specifications

Size

Length, in [mm]	1.29 [32.77]
Width/Dia., in [mm]	0.73 [18.54]

Connector 1

Type	BNC Twinax Jack
Inner Conductor Material and Plating	Silver
Body Material and Plating	Brass, Nickel
Dielectric Type	PTFE

Connector 2

Type	BNC Twinax Jack
Inner Conductor Material and Plating	Silver
Body Material and Plating	Brass, Nickel
Dielectric Type	PTFE

Compliance Certifications (visit www.Pasternack.com for current document)

RoHS Compliant	Yes
----------------	-----

Click the following link (or enter part number in "SEARCH" on website) to obtain additional part information including price, inventory and certifications: [Bulkhead BNC Twinax Jack to BNC Twinax Jack Adapter PE9280](#)

The information contained in this document is accurate to the best of our knowledge and representative of the part described herein. It may be necessary to make modifications to the part and/or the documentation of the part, in order to implement improvements. Pasternack reserves the right to make such changes as required. Unless otherwise stated, all specifications are nominal.



Bulkhead BNC Twinax Jack to BNC Twinax Jack Adapter

TECHNICAL DATA SHEET

PE9280

Plotted and Other Data

Notes:

Values at 25 °C, sea level

Bulkhead BNC Twinax Jack to BNC Twinax Jack Adapter from Pasternack Enterprises has same day shipment for domestic and International orders. Our RF, microwave and fiber optic products maintain a 99% availability and are part of the broadest selection in the industry.

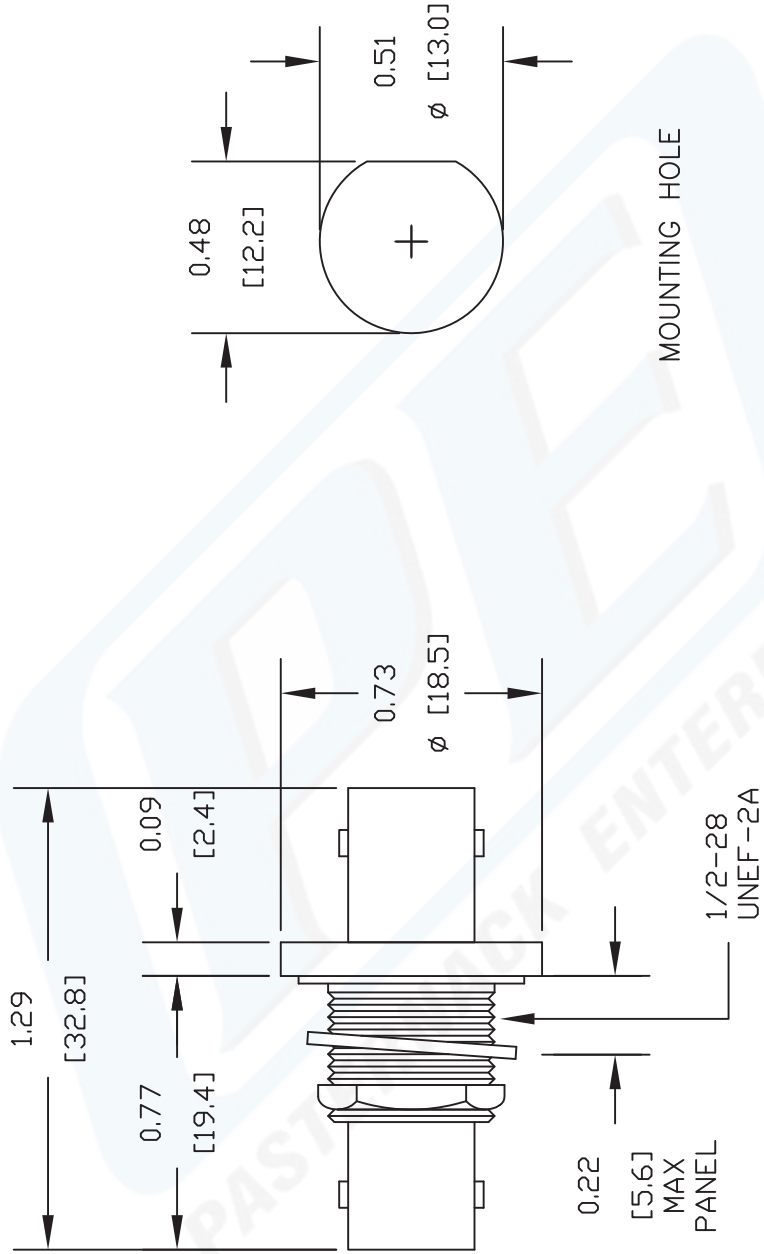
Click the following link (or enter part number in "SEARCH" on website) to obtain additional part information including price, inventory and certifications: [Bulkhead BNC Twinax Jack to BNC Twinax Jack Adapter PE9280](http://www.pasternack.com/bnc-twinax-jack-bnc-twinax-jack-straight-adapter-pe9280-p.aspx)

URL: <http://www.pasternack.com/bnc-twinax-jack-bnc-twinax-jack-straight-adapter-pe9280-p.aspx>

The information contained in this document is accurate to the best of our knowledge and representative of the part described herein. It may be necessary to make modifications to the part and/or the documentation of the part, in order to implement improvements. Pasternack reserves the right to make such changes as required. Unless otherwise stated, all specifications are nominal.

PE9280 CAD Drawing

Bulkhead BNC Twinax Jack to BNC Twinax Jack Adapter



DWG TITLE

PE9280

NOTES:
 1. UNLESS OTHERWISE SPECIFIED ALL DIMENSIONS ARE NOMINAL.
 2. ALL SPECIFICATIONS ARE SUBJECT TO CHANGE WITHOUT NOTICE AT ANY TIME.
 3. DIMENSIONS ARE IN INCHES [mm].

REV. A

FSCM NO. 53919

CAD FILE 042110

SCALE N/A

SIZE A

127

PE PASTERNAK®
 Pasternack Enterprises, Inc.
 P.O. Box 16759 | Irvine | CA | 92623
Phone: (949) 261-1920 | **Fax:** (949) 261-7451
Website: www.pasternack.com | **E-Mail:** sales@pasternack.com