



EUROPEAN ANTENNAS

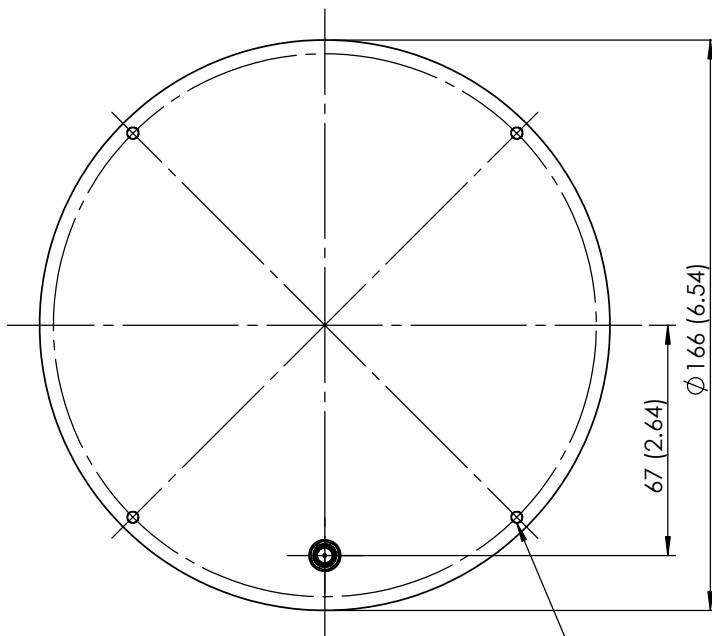
Excellence through design
Creative in concept

LOW PROFILE ANTENNA

MODEL: LPA7-1350R/878

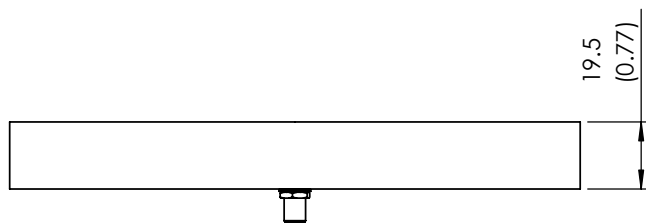
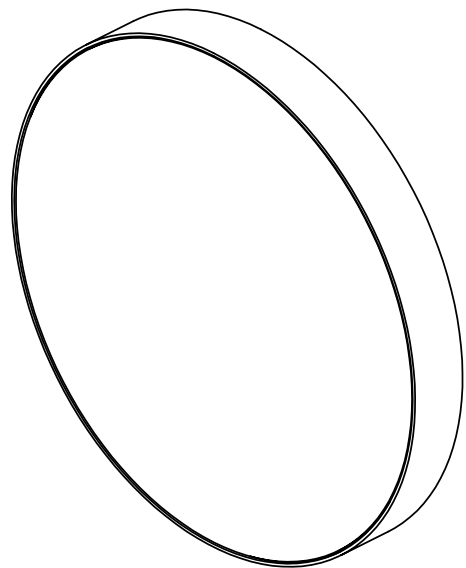
FREQUENCY:	1.30 - 1.40 GHz	GAIN:	8.2 dBiC
POLARISATION:	R.H.Circular	BEAMWIDTH:	80° (Az) x 70° (El)
AXIAL RATIO:	2 dB	VSWR:	1.5:1
POWER RATING:	10 W	FRONT TO BACK:	>28 dB
TEMPERATURE:	-20°C to +50°C	MASS:	0.41 Kg / 0.902 lbs
FINISH:	Matt Black	WIND LOADING:	3.51 Kg / 7.7 lbs @ 100 mph

REAR VIEW



MOUNTING VIA 4 HOLES,
M4 x 8 DEEP,
ON 158.0 PCD

PICTORIAL VIEW



SMA(F) CONNECTOR

END VIEW

DIMENSIONS: mm (inches)

GA: 878-1 Issued:041201

EUROPEAN ANTENNAS LTD.

LAMBDA HOUSE, CHEVELEY
NEWMARKET, SUFFOLK, CB8 9RG,
UNITED KINGDOM

E-Mail: sales@european-antennas.co.uk
Website: www.european-antennas.co.uk

Tel: +44 (0)1638 731888
Fax: +44 (0)1638 731999