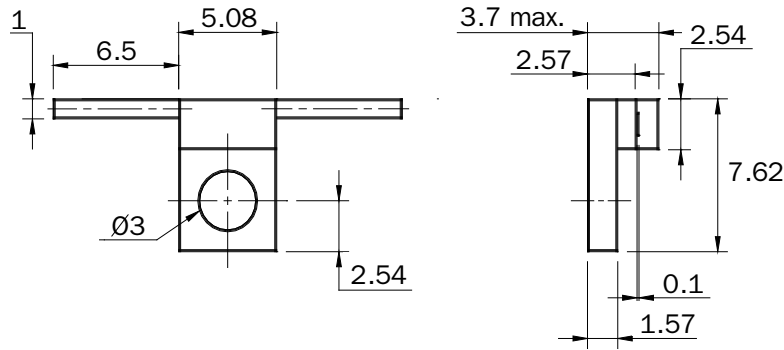
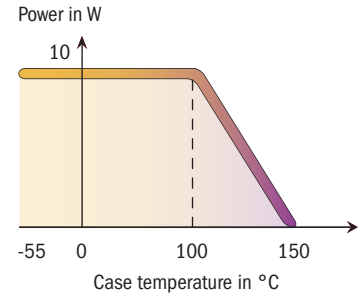




Standards
NF C 96-315
MIL-DTL-3933



Substrate	AIN
Resistive film	Thick film
Tab	Ag
Mounting flange/Plating	Cu/Ni
Cover substrate	Al ₂ O ₃



Dimensions in mm

P/N	Attenuation* (dB)	Frequency (GHz)	Power (W)	Impedance (Ω ± 5%)	Max VSWR	Accuracy ±Δα (dB)
16-6695	2	3	10	50	1.20	0.4
16-6708	3	3	10	50	1.20	0.4
16-6709	4	3	10	50	1.20	0.4
16-6710	6	3	10	50	1.20	0.5
16-6711	10	3	10	50	1.20	0.8
16-6701	20	3	10	50	1.20	1
16-6712	30	1.5	10	50	1.20	1.5

mm	inch
0.1	0.004
1	0.039
1.57	0.062
2.54	0.100
2.57	0.101
3	0.118
3.7	0.146
5.08	0.200
6.35	0.250
6.5	0.256
7.62	0.300

* Others values on request