



EUROPEAN ANTENNAS

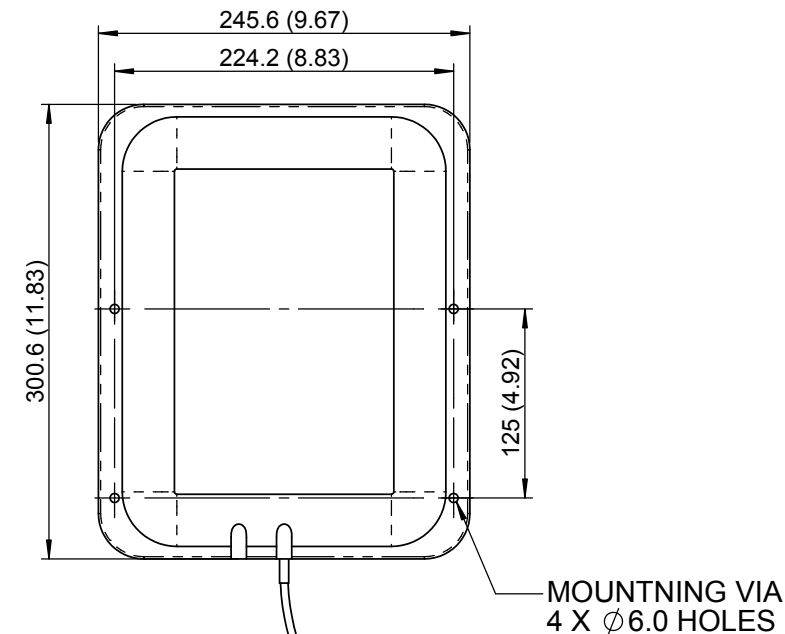
Excellence through design
Creative in concept

LOW PROFILE ANTENNA

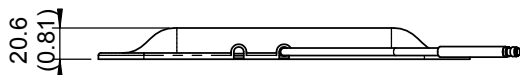
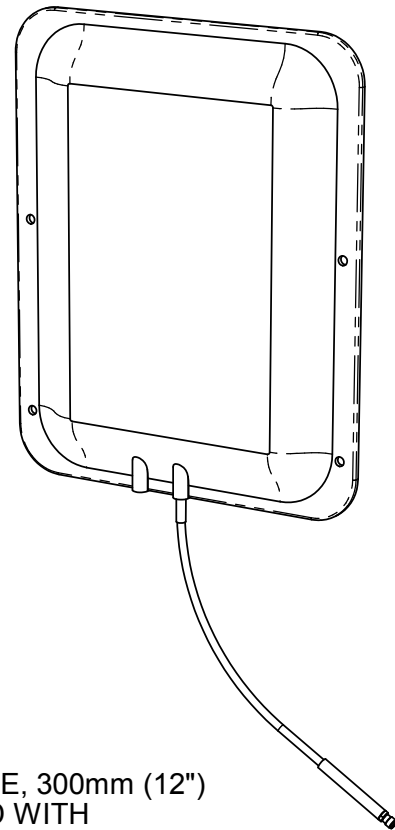
MODEL: LPA7-869R/1097

FREQUENCY:	839 - 899 MHz	GAIN:	7dBiC Minimum
POLARISATION:	R.H Circular	BEAMWIDTH:	70° (Az.) x 70° (El.) Approx.
AXIAL RATIO:	4 dB Typical	VSWR:	2 : 1
POWER RATING:	10 W	FRONT TO BACK:	15 dB Minimum
TEMPERATURE:	-20° to +50°C	MASS:	665g / 1.46 lbs
RADOME:	White Injection Moulded Polymer	WIND LOADING:	N/A

FRONT VIEW



PICTORIAL VIEW



RG 400 CABLE, 300mm (12")
TERMINATED WITH
SMA(F) CONNECTOR

END VIEW

DIMENSIONS: mm (inches)	H
GA: 1097-2	Issued: 101203

EUROPEAN ANTENNAS LTD.

Tel: +44 (0)1638 731888
Fax: +44 (0)1638 731999

LAMBDA HOUSE, CHEVELEY
NEWMARKET, SUFFOLK, CB8 9RG,
UNITED KINGDOM

E-Mail: sales@european-antennas.co.uk
Website: www.european-antennas.co.uk