



When precision matters...™

## TW2600 Magnet Mount Iridium™ Certified Antenna

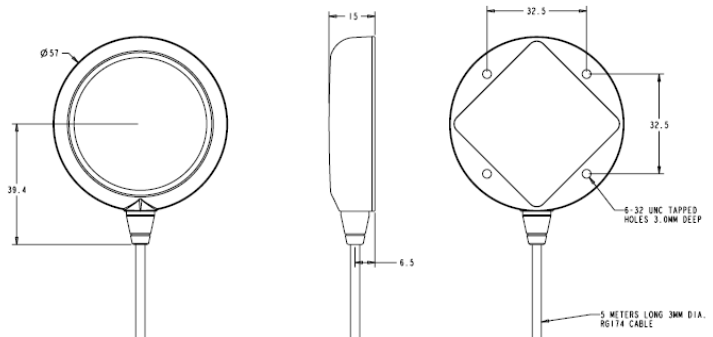
The TW2600 by Tallysman Wireless is a professional grade, magnet mount, passive right hand circularly polarised antenna for the 1616 to 1626.5 MHz frequency band, certified and specially designed to maximise the performance of Iridium™ Voice and Data Modems.

The TW2600 features a high performance dual-feed patch element that provides great axial ratio (3dB max) over the entire Iridium™ frequency band, thus signals at the band edges remain truly circular, unlike the response of single feed antennas.

The TW2600 is housed in a compact, industrial-grade weather-proof, magnet mount enclosure, with threaded base holes for screw down attach. It is available with a 50 cm cable, allowing for the Iridium™ Modem to be mounted out of the elements and reach, and still providing excellent Iridium™ signal coverage.



TW2600 Dimensions (mm)



### Applications

- Iridium™ Voice and Data Applications
- Sea & Land Container Tracking
- Military & Security
- Fleet Management & Asset Tracking
- Marine & Avionics Systems
- Law Enforcement & Public Safety

### Features

- Custom high gain, 4.25 dBic dual-feed patch
- Great axial ratio, 3 dB over full bandwidth
- 15 KV ESD circuit protection
- IP67 weather proof housing
- Robust Industrial grade enclosure
- Magnet or screw mount

### Benefits

- Excellent circular polarized signal transmission
- Industrial temperature range
- Rugged Design
- Ideal for harsh environments
- RoHS compliant
- Remote SBD antenna



When precision matters...™

# TW2600 Magnet Mount Iridium™ Certified Antenna

## Specifications V<sub>cc</sub> = 3V, over full bandwidth, T=25°C

### Antenna

Architecture	Dual, quadrature feeds
Antenna Gain (100mm ground plane)	4.25 dBic
Axial Ratio (over full bandwidth)	≤3 dB

### Electrical

Architecture	Hybrid 90° phase signal splitter
Frequency Bandwidth	1616 to 1626.5 MHz
Polarization	RHCP
Cross Polarization Rejection	typically 20dB
Gain flatness	< 0.5 dB, from 1616 to 1626.5 MHz
VSWR (at antenna)	<1.5:1
Return Loss Bandwidth(10 dB return loss)	>20 MHz
ESD Circuit protection	15 KV air discharge

### Mechanicals & Environmental

Mechanical Size	57 mm dia. x 15 mm H
Cable	RG174 / 50 cm, custom lengths optional
Operating Temp. Range	-40 to +85 °C
Enclosure	Radome: ASA plastic, Base: Zamak white metal
Weight	150 g
Attachment Method	Magnet or permanent (pre-tapped 4 x 6-32UNC)
Environmental	IP67 and RoHS compliant
Shock	Vertical axis: 50 G, other axes: 30 G
Vibration	3 axis, sweep = 15 min, 10 to 200 Hz sweep: 3 G

### Ordering Information

Legacy Part Numbers:

TW2600 – Iridium™ antenna, 50 cm cable, SMA Male	32-2600-0
TW2600 – Iridium™ antenna, 50 cm cable, TNC Male	32-2600-1
TW2600 – Iridium™ antenna, 50 cm cable, MCX Male	32-2600-2
TW2600 – Iridium™ antenna, no cable, SMA Female on housing	32-2600-7

\* As a result of a growing catalogue of part numbers, Tallysman has rationalized its part number system. No changes have been made to the mechanical or electrical properties of these products. Where administratively possible, please use the following new Part Numbers.

TW2600 – Iridium™ antenna, 33-2600-xx-yyyy  
Where xx = connector type and yyyy = cable length in mm

Please refer to the Ordering Guide (<http://www.tallysman.com/orderingguide.php>) for the current and complete list of available connectors.

### Tallysman Wireless Inc

106 Schneider Road, Unit 3  
Ottawa ON K2K 1Y2 Canada

Tel 613 591 3131

Fax 613 591 3121

[sales@tallysman.com](mailto:sales@tallysman.com)

The information provided herein is intended as a guide only and is subject to change without notice. This document is not to be regarded as a guarantee of performance. Tallysman Wireless Inc. hereby disclaims any or all warranties and liabilities of any kind. © 2011 Tallysman Wireless Inc. All rights reserved. Rev 6.1