

# STANDARD GAIN HORN 23 DB GAIN WG22

SH122-23

## SPECIFICATIONS

### ELECTRICAL:

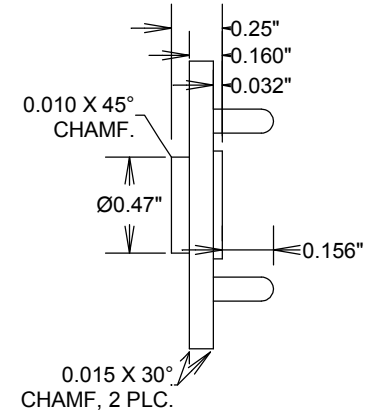
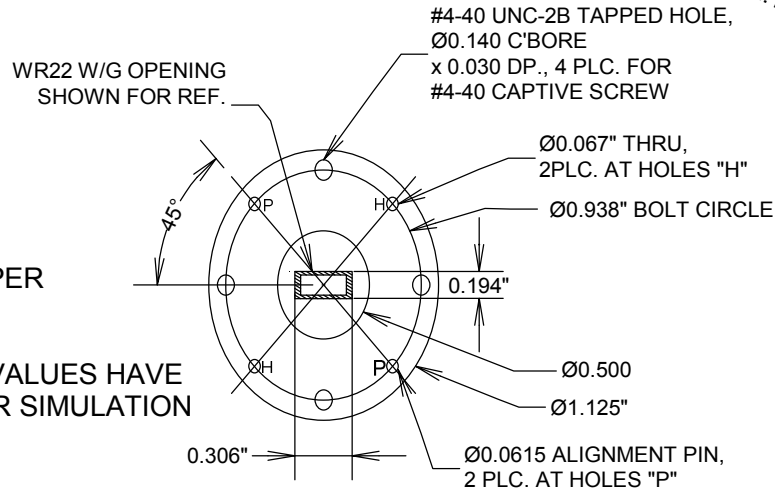
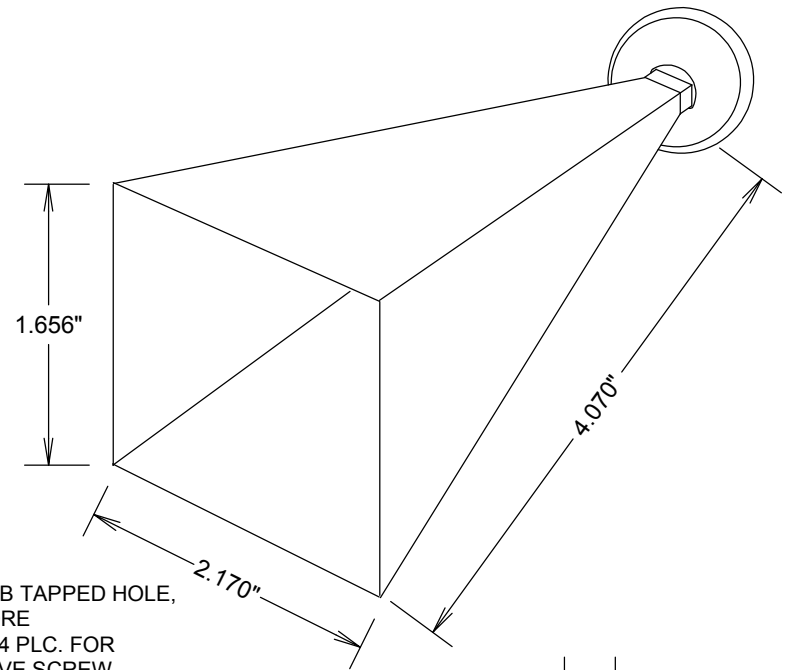
FREQUENCY: 33 - 50 GHZ  
 TYPICAL GAIN VARIATION:  $\pm 1.5 - 2.0$  dB  
 GAIN: 23 DB

3 DB BEAM WIDTH\*:  
 E PLANE:  $9.6^\circ$   
 H PLANE:  $11.7^\circ$

### MATERIALS:

BODY: ALUMINUM  
 FINISH: GOLD PLATED COPPER  
 FLANGE: BRASS

\*GAIN & 3 DB BEAM WIDTH VALUES HAVE  
 CALCULATED BY COMPUTER SIMULATION



**FAIRVIEW MICROWAVE INC.**

ALLEN, TX 75013 WWW.FAIRVIEWMICROWAVE.COM

TITLE

**STANDARD GAIN HORN 23 DB GAIN WG22**

SIZE	CAGE CODE	DWG NO	REV
<b>A</b>	<b>3FKR5</b>	<b>SH122-23</b>	--
SCALE		SHEET	