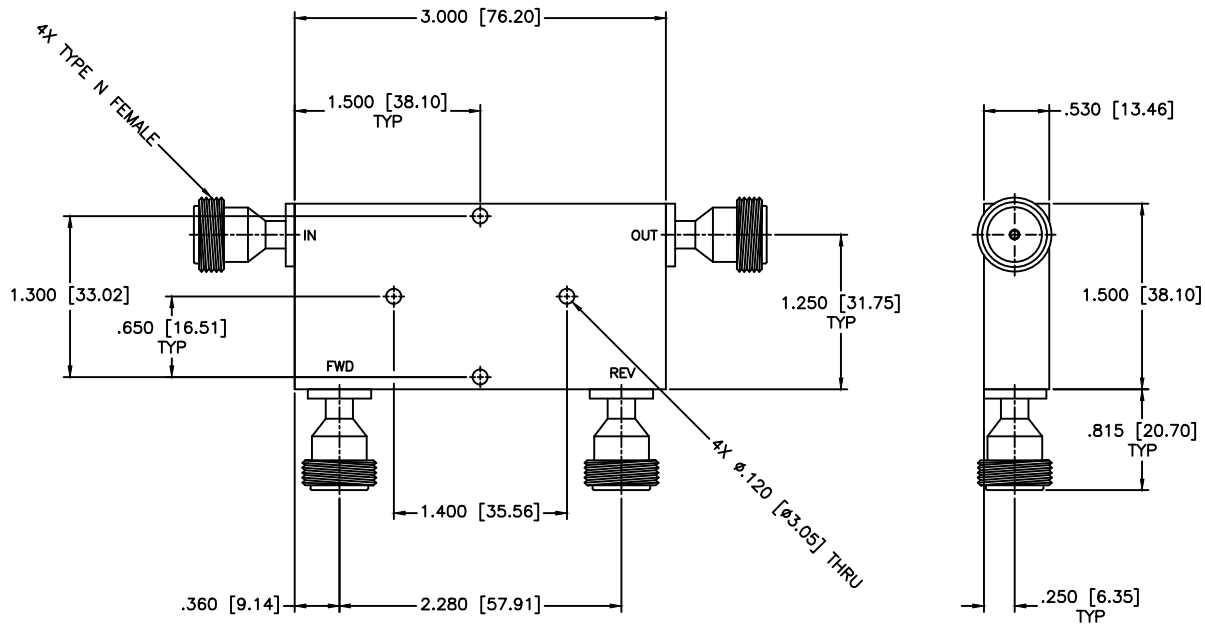


REVISIONS				
ZONE	REV	DESCRIPTION	DATE	APPROVED



SPECIFICATIONS

FREQUENCY RANGE: 200-2000 MHz
 COUPLING: 20dB
 FLATNESS: ±0.75dB Max.
 INSERTION LOSS: 0.2dB Max.
 DIRECTIVITY: 20dB Min.
 VSWR: 1.20:1 Max.
 POWER: 200W CW

MATERIAL:		 MCLI MICROWAVE COMMUNICATIONS LABORATORIES INC. 7255 30TH AVE. N. SAINT PETERSBURG, FL 33710 TEL: (727) 344-6254 FAX: (727) 381-6116 http://WWW.MCLI.COM	SCALE:	N/A
			SHEET:	N/A
		UNLESS OTHERWISE SPECIFIED: TOLERANCES IN (INCHES) OR [mm] (MILLIMETERS) FRACTIONS: ± 1/64 DECIMALS: ±.01 ±.005 ANGLE: ±1/2°	DRAWING TITLE: HIGH POWER DUAL DIRECTIONAL COUPLER	
		PROPERTY NOTICE: THE INFORMATION IN THIS DRAWING IS PROPRIETARY AND SHALL NOT BE USED OR DISCLOSED WITHOUT WRITTEN PERMISSION FROM MICROWAVE COMMUNICATIONS LABORATORIES INC. (MCLI)	PART NO.: HDL-4-20	
DRAWN: Paiboon Luekhamhan	DATE: 12-21-2010	 THIRD ANGLE PROJECTION	CAGE CODE:	SIZE: N/A
APPROVED: T. Nguyen	DATE: 12-21-2010		OD2L5	REV: N/A
			DO NOT SCALE THE DRAWING	