



SMA Female to Reverse Thread SMA Male Adapter

TECHNICAL DATA SHEET

PE9683

Configuration

Connector 1	SMA Female
Impedance 1	50 Ohms
Connector Specification 1	MIL-C-39012
Connector 2	SMA Male Reverse Thread
Impedance 2	50 Ohms
Connector Specification 2	MIL-C-39012
Adapter Design	Standard
Body Style	Straight

Mechanical Specifications

Size

Length, in [mm]	0.708 [17.98]
Width/Dia., in [mm]	0.312 [7.92]

Connector 1

Type	SMA Female
Inner Conductor Material and Plating	Gold
Inner Conductor Plating Specification	MIL-G-45204
Body Material and Plating	Brass, Nickel
Dielectric Type	Teflon

Connector 2

Type	SMA Male Reverse Thread
Inner Conductor Material and Plating	Gold
Inner Conductor Plating Specification	MIL-G-45204
Coupling Nut Material and Plating	Brass, Nickel
Hex Size, in.	5/16
Torque, in-lbs [Nm]	5 [0.57]
Body Material and Plating	Brass, Nickel
Dielectric Type	Teflon

Environmental Specifications

Temperature

Operating Range	-65 to +165 deg C
-----------------	-------------------

Compliance Certifications (visit www.Pasternack.com for current document)

RoHS Compliant	
REACH Compliant	06/18/2012

Click the following link (or enter part number in "SEARCH" on website) to obtain additional part information including price, inventory and certifications: [SMA Female to Reverse Thread SMA Male Adapter PE9683](#)



SMA Female to Reverse Thread SMA Male Adapter

TECHNICAL DATA SHEET

PE9683

Plotted and Other Data

Notes:

- Values at +25 °C, sea level

SMA Female to Reverse Thread SMA Male Adapter from Pasternack Enterprises has same day shipment for domestic and International orders. Our RF, microwave and millimeter wave products maintain a 99% availability and are part of the broadest selection in the industry.

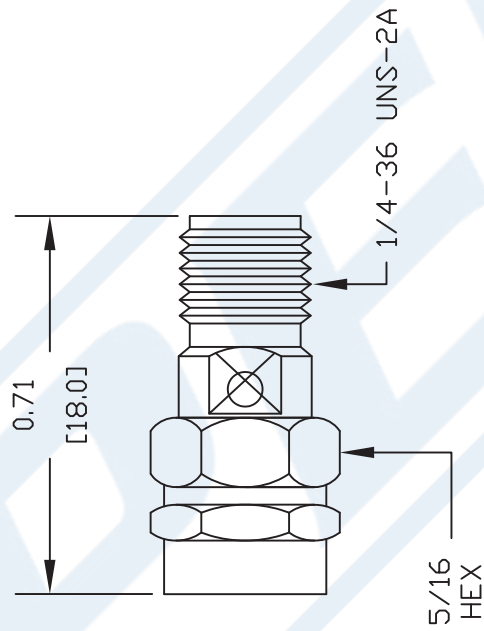
Click the following link (or enter part number in "SEARCH" on website) to obtain additional part information including price, inventory and certifications: [SMA Female to Reverse Thread SMA Male Adapter PE9683](#)

URL: <http://www.pasternack.com/sma-female-sma-male-straight-adapter-pe9683-p.aspx>

The information contained in this document is accurate to the best of our knowledge and representative of the part described herein. It may be necessary to make modifications to the part and/or the documentation of the part, in order to implement improvements. Pasternack reserves the right to make such changes as required. Unless otherwise stated, all specifications are nominal. Pasternack does not make any representation or warranty regarding the suitability of the part described herein for any particular purpose, and Pasternack does not assume any liability arising out of the use of any part or documentation.

PE9683 CAD Drawing

SMA Female to Reverse Thread SMA Male Adapter



NOTES:
 1. UNLESS OTHERWISE SPECIFIED ALL DIMENSIONS ARE NOMINAL.
 2. ALL SPECIFICATIONS ARE SUBJECT TO CHANGE WITHOUT NOTICE AT ANY TIME.
 3. DIMENSIONS ARE IN INCHES [mm].

DWG TITLE
PE9683

PASTERNAK ENTERPRISES, INC.
 P O BOX 16759, IRVINE, CA 92623
 PHONE (949) 261-1920 FAX (949) 261-7451
 WEB ADDRESS: www.pasternack.com
 E-MAIL ADDRESS: sales@pasternack.com
COAXIAL & FIBER OPTICS



REV. -	FSCM NO. 53919	CAD FILE 121905	SCALE N/A	SIZE A	127
--------	----------------	-----------------	-----------	--------	-----