



# RF-LAMBDA

The power beyond expectations

## RKT2G2A130

### ROTARY KNOB MANUAL CONTROL STEP ATTENUATOR (DC-2GHz 130dB RANGE)

#### Product description

- Very small package and broadband performance
- Continuous variable attenuation during operation
- Excellent Repeatability and Long Life Switch
- Low Deviation from Nominal Value
- 50Ω impedance standard upon request
- 2W CW average power upon request
- Custom Configurations Available Upon Request.



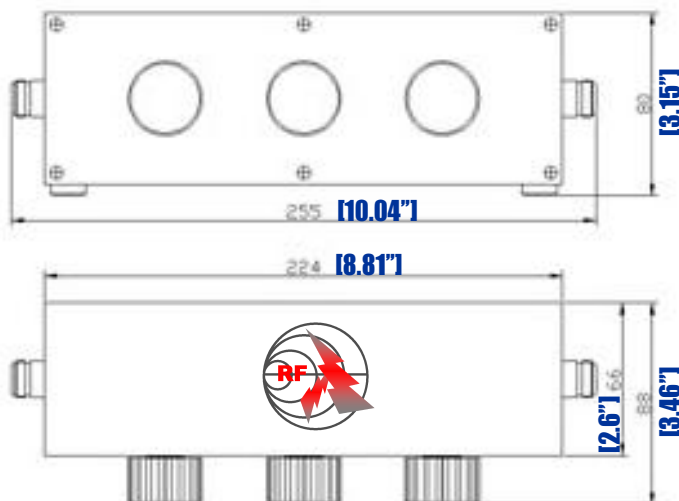
#### Applications:

Include Communication, 3G, Digital Transmission, Radar, Military, Broadcast & Television, science & Research department etc.

Part Number	Frequency	Power (Watts)	Attenuation Range (dB)	Attenuation Step (dB)	VSWR max.	Insertion Loss (dB)	Accuracy (dB)
RKT2G2A130	DC-2GHz	2	130	1	1.50	≤1.5	± 0.4(1~10dB) ± 0.6(10~60dB) ± 5%(≥60dB)

Connector: N type, weight: 1250g

Temperature (Operational): -10° C~+50° C (Storage) -40° C~+70° C



19" X 2U RACK MOUNTING PACKAGE AVAILABLE

PN: **RKT 2 G X A 130**

Manual Control Attenuator    Power Handle In Watt    Freq Unit GHz    Freq Number    Product Type    Attenuation Range

MANUAL CONTROL STEP ATTENUATOR (DC-2GHz 130DB RANGE)

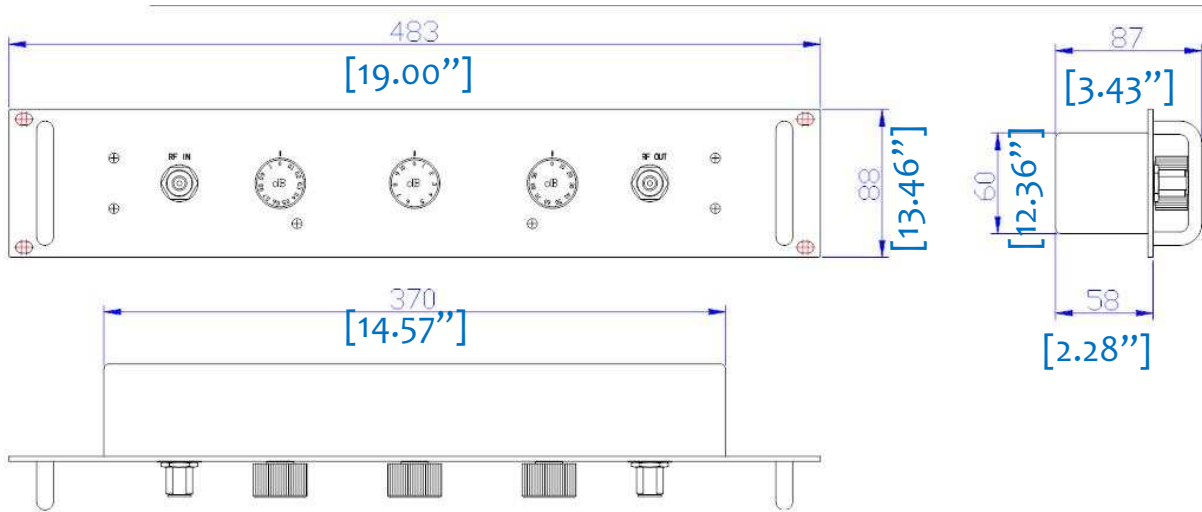


# RF-LAMBDA

The power beyond expectations

## RKT2G2A130

### 19" X 2U RACK MOUNTING PACKAGE AVAILABLE



MANUAL CONTROL STEP ATTENUATOR

(DC-2GHZ 130DB RANGE)