

# KR Electronics, Inc.

## General Description

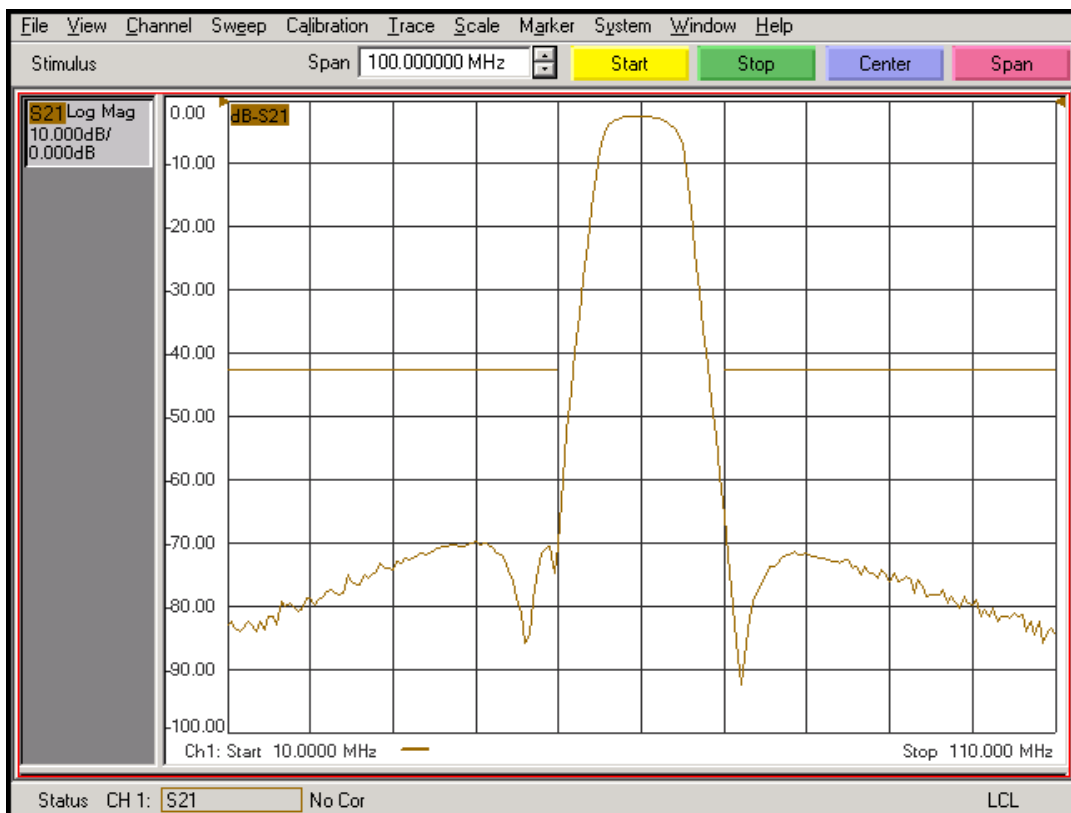
KR Electronics part number 2807-1 is a 60 MHz bandpass filter. The filter has a minimum 3 dB bandwidth of 8 MHz. Other center frequencies and bandwidths available. Please consult the factory.

### Features

- 60 MHz Center Frequency
- 3 dB Bandwidth, 8 MHz min
- 50  $\Omega$  Source and Load
- Surface Mount

## Typical Performance

### Overall Response (10 dB/div)

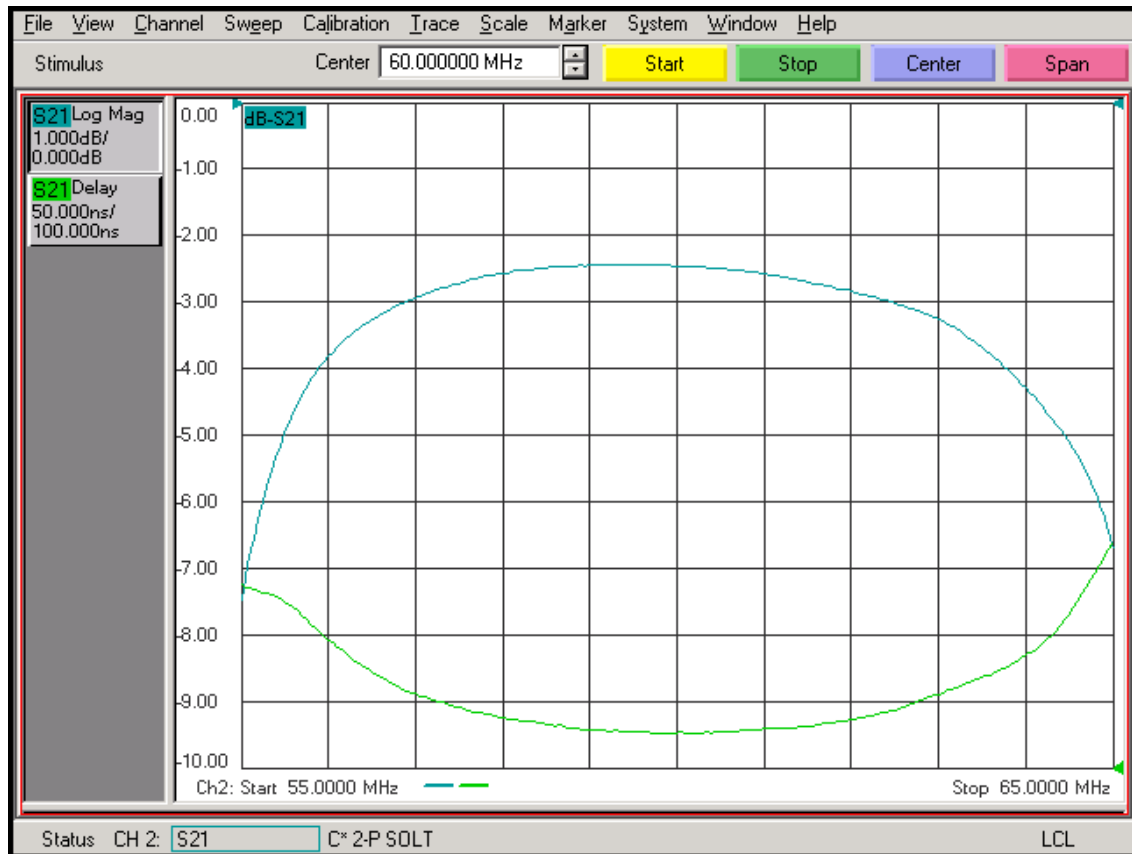


KR Electronics, Inc.  
91 Avenel Street  
Avenel, NJ 07001

Web [www.krfilters.com](http://www.krfilters.com)  
Email [sales@krfilters.com](mailto:sales@krfilters.com)  
Phone (732) 636-1900  
Fax (732) 636-1982

## Typical Performance

### Passband Amplitude & Group Delay (1 dB/div & 50 nsec/div)

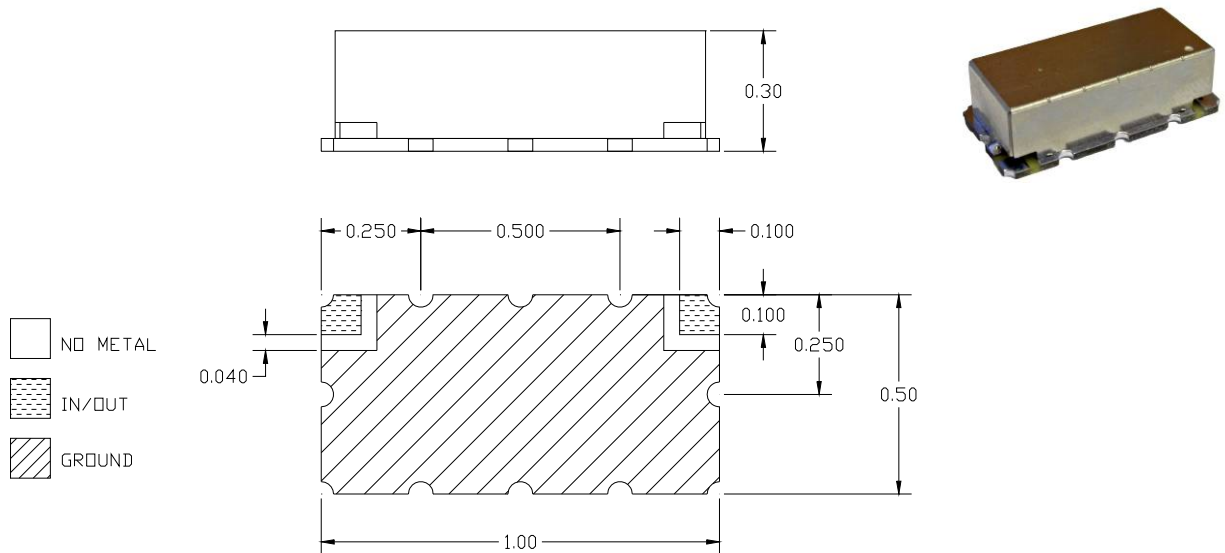


# KR Electronics 2807-1

## Specifications

Parameter	Specification	
Filter type	Bandpass	
Center Frequency	60 MHz	
Insertion Loss	4 dB max	2.5 dB typical
3 dB Bandwidth	8 MHz min	10 MHz max
Rejection at 50 MHz	40 dB min	>60 dB typical
Rejection at 70 MHz	40 dB min	> 60 dB typical
Source and Load	50 Ω	

## Physical Dimensions



### Notes:

1. Surface mount package
2. Dimensions in inches
3. Max reflow temperature 209° C for 10 sec
4. If boards are cleaned after installation units must be completely dried

KR Electronics, Inc.  
91 Avenel Street  
Avenel, NJ 07001

Web [www.krfilters.com](http://www.krfilters.com)  
Email [sales@krfilters.com](mailto:sales@krfilters.com)  
Phone (732) 636-1900  
Fax (732) 636-1982