

# Laminated Absorbers - AEL Series



## ➤ Applications:

- Small enclosures
- Wrapping masts & structures
- Shadowing obstacles

## ➤ Key features:

- Lightweight, flexible and wrappable
- Graded dielectric loading

## ➤ Shape:

- Flat

## ➤ Frequency band:

- From 400 MHz to 18 GHz

## ➤ Standard base size:

- 2' x 2' (60.96 cm x 60.96 cm)

## ➤ Height:

- 0.25" to 9" (0.6 cm to 22.9 cm)

## ➤ Operating conditions:

- Temperature: 70° F +/- 10° (21° C +/- 3°)
- Relative humidity: 55% RH +/- 15 %

## ➤ Indoor/outdoor:

- Indoor

## ➤ Related certifications:

- NRL 8093 – 1, 2, 3

## ➤ Ordering code:

- AEL-XX, where XX designates absorber height in inches

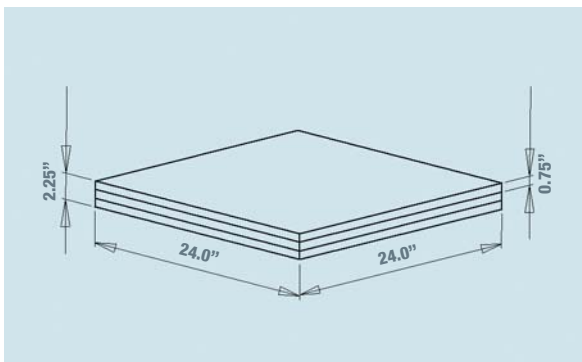
## 1/ Description

AEL series absorbers are high performance multi-layer, lightweight, flat, laminated radar absorbers. These products are made from open cell polyurethane foam layers which are specially impregnated and laminated with flexible adhesives and latex. Consequently, they are flexible and wrappable and may be pre-fitted, cut with a sharp blade or scissors, and bonded with contact adhesive for a strong, permanent bond. The absorber should be backed by a reflective surface. For optimum performance, AEMI can provide an optional conductive backing, if requested.

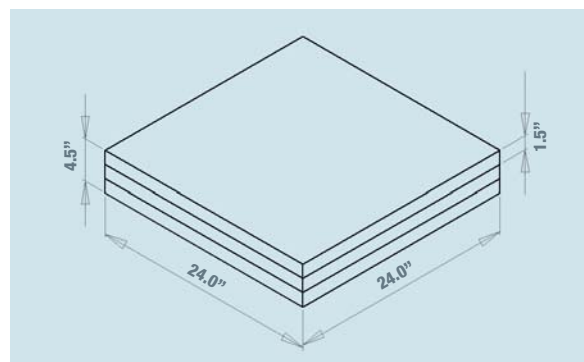
## 2/ Specifications

		AEL-0.25	AEL-0.375	AEL-0.75	AEL-1.125	AEL-2.25	AEL-4.5	AEL-9.0
<b>Height</b>	<b>in</b>	0.25	0.375	0.75	1.125	2.25	4.5	9.0
	<b>cm</b>	0.64	0.95	1.9	2.86	5.72	11.43	22.86
<b>Absorption @ Normal Incidence</b>	<b>dB</b>	> -20	> -20	> -20	> -20	> -20	> -20	> -20
<b>Weight</b>	<b>lbs/pc.</b>	0.5	0.75	1.25	1.9	3.65	5.1	11.65
	<b>kg/pc.</b>	0.23	0.34	0.57	0.86	1.66	2.31	5.28

AEL-2.25 mechanical drawing



AEL-4.50 mechanical drawing



**Increase durability & lifespan  
by adding our rubberized coating!**

For more information, see page 32