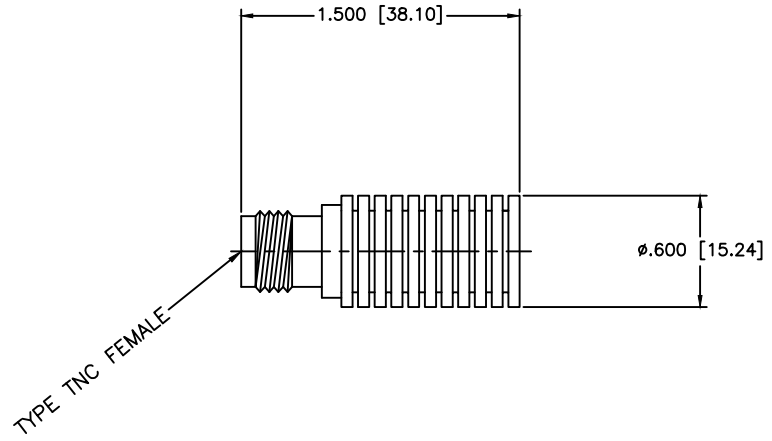


REVISIONS				
ZONE	REV	DESCRIPTION	DATE	APPROVED

- NOTES:
- A) 2.45 IN. FOR 10 WATTS CW
4.07 IN. FOR 25 WATTS CW
 - B) 0.75 IN. FOR 10 WATTS CW.
1.25 IN. FOR 25 WATTS CW



MATERIAL:			MICROWAVE COMMUNICATIONS LABORATORIES INC. 7255 30TH AVE. N. SAINT PETERSBURG, FL 33710 TEL: (727) 344-6254 FAX: (727) 381-6116 http://WWW.MCLI.COM		SCALE: N/A
					SHEET: N/A
		UNLESS OTHERWISE SPECIFIED: TOLERANCES IN (INCHES) OR [mm] (MILLIMETERS) FRACTIONS: ± 1/64 DECIMALS: ±.01 ±.005 ANGLE: ±1/2°	DRAWING TITLE: COAXIAL TERMINATION		
DRAWN: Paiboon Luekhamhan		DATE: 12-07-1997	PART NO. TTF-2		
APPROVED: T. Nguyen		DATE: 12-07-1997	CAGE CODE: OD2L5	SIZE: A	REV: N/A
		PROPRIETARY NOTICE: THE INFORMATION IN THIS DRAWING IS PROPRIETARY AND SHALL NOT BE USED OR DISCLOSED WITHOUT WRITTEN PERMISSION FROM MICROWAVE COMMUNICATIONS LABORATORIES INC. (MCLI)	DWG NO. 80777		DO NOT SCALE THE DRAWING